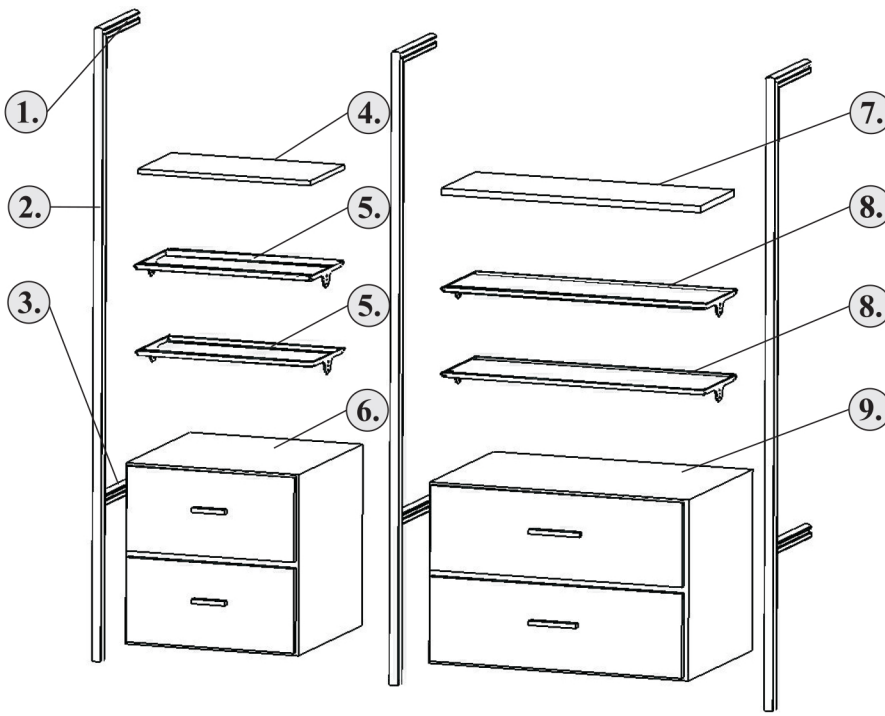
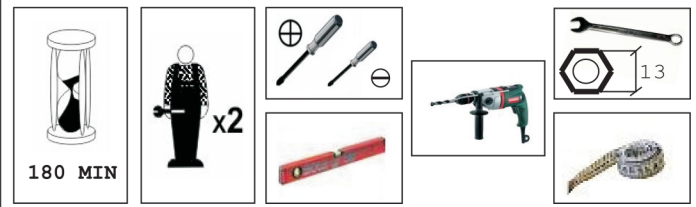


# MAKE ME

Version: 01-01/2010

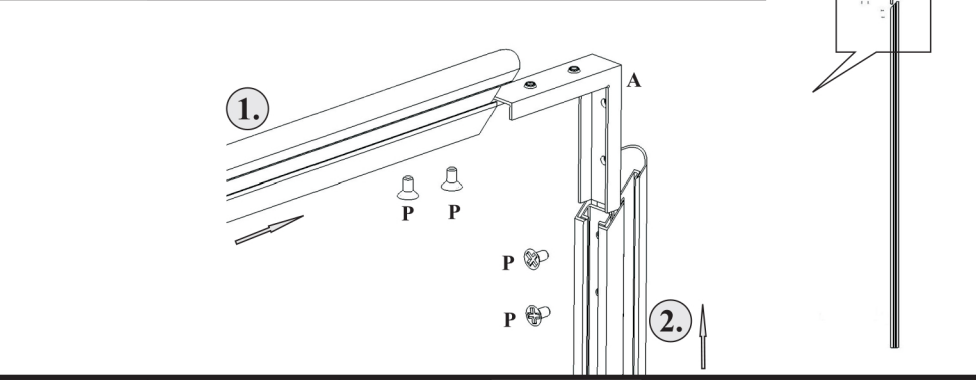


BEFORE STARTING,  
REFER TO  
THE ASSEMBLING ADVICE  
IN ANNEX

<b>A</b> x 3	<b>B</b> x 3	<b>C</b> x 6	<b>D</b> x 6	<b>E</b> x 3
<b>F</b> x 20	<b>G</b> x 4 LEWY LEFT n124/L	<b>H</b> x 4 PRAWY RIGHT n124/P	<b>I</b> x 2 LEWY LEFT n125/L	<b>J</b> x 2 PRAWY RIGHT n125/P
<b>K</b> x 3	<b>M</b> x 20 M4 x 6 PLASTIC	<b>N</b> x 6 M4 x 25	<b>O</b> x 30 M4 x 8	<b>P</b> x 24 M5 x 12
<b>e3</b> x 24 M6 x 13	<b>S</b> x 16 M4 x 10	<b>T</b> x 3 M8		

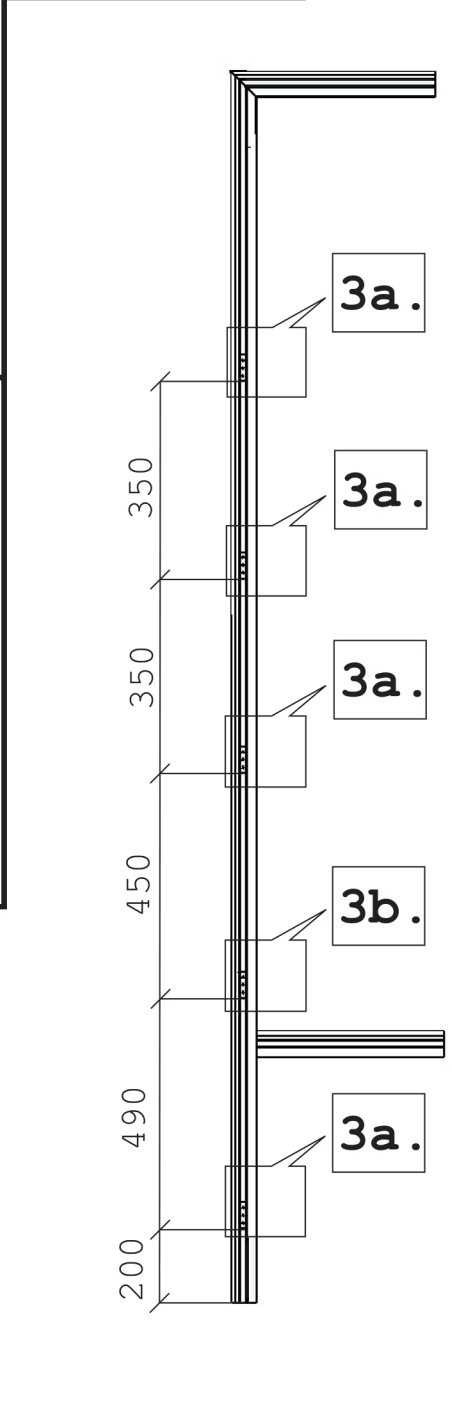
**1.**

<b>A</b>		<b>P</b> M5 x 12	
----------	--	------------------	--



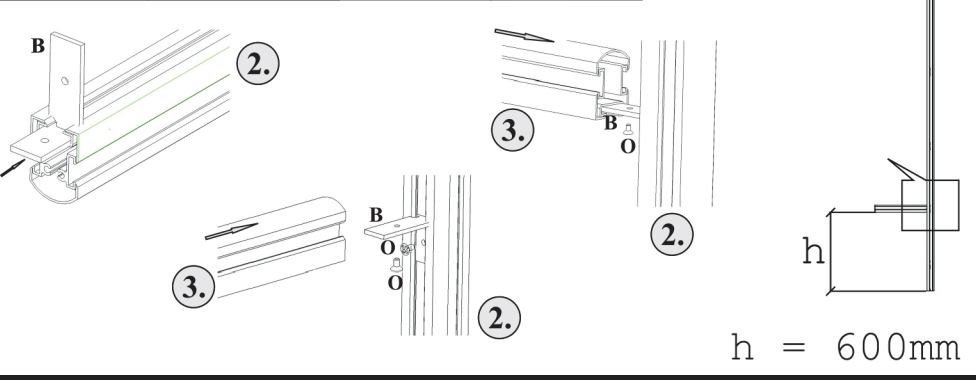
**M** M4 x 6

PLASTIC



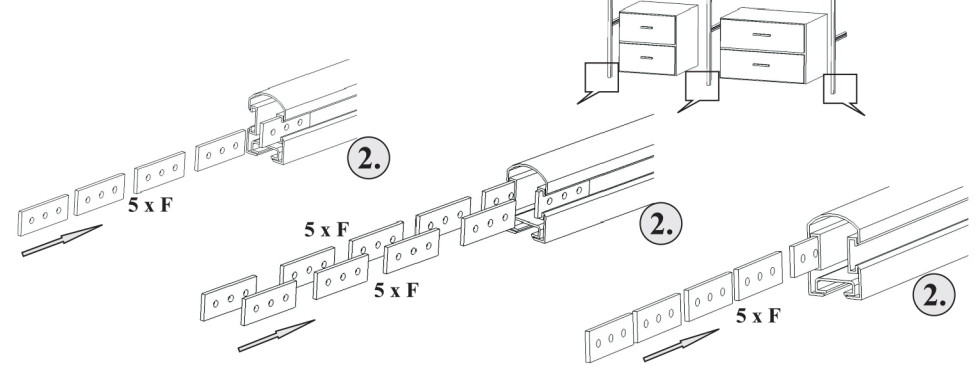
**2.**

<b>B</b>		<b>O</b> M4 x 8	
----------	--	-----------------	--



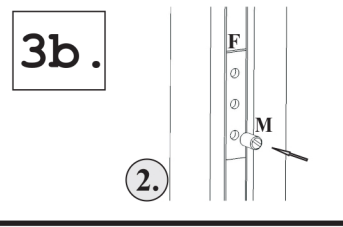
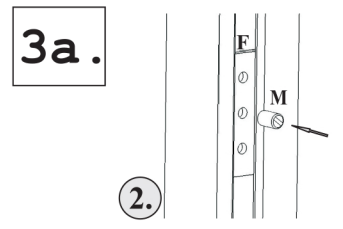
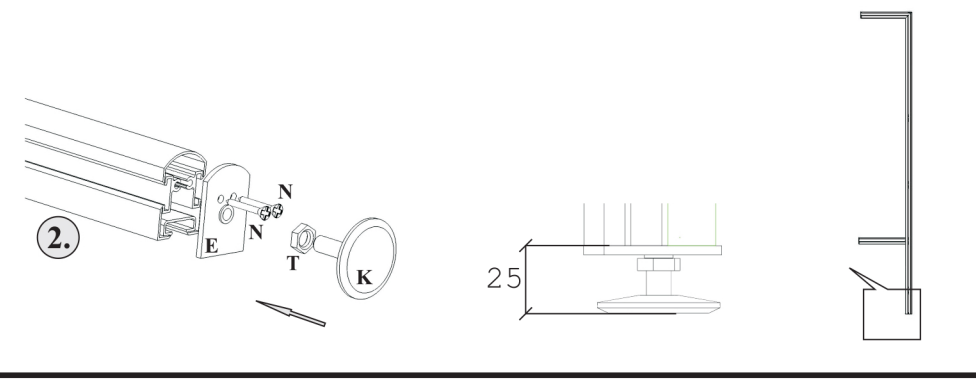
**3.**

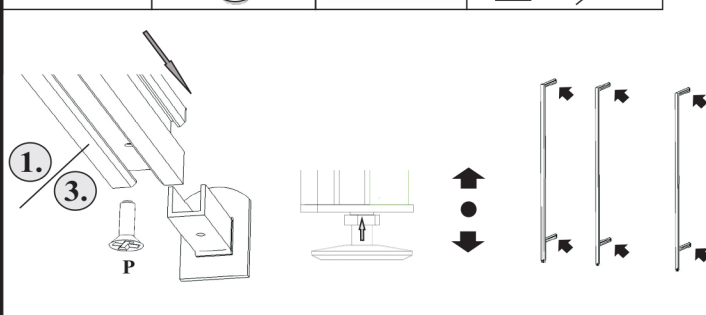
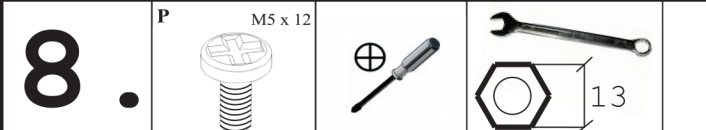
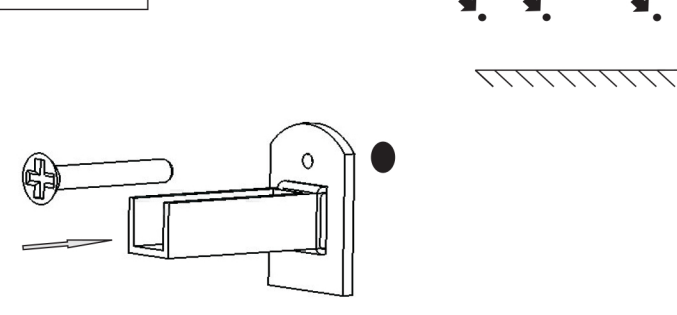
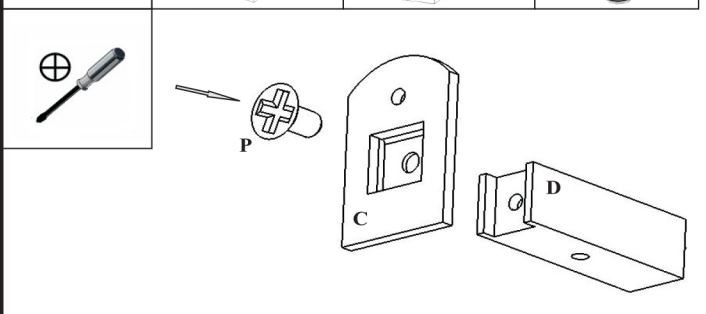
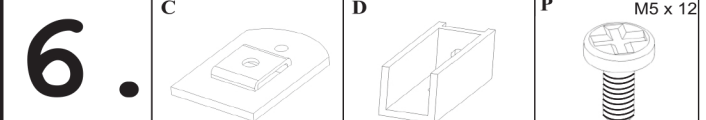
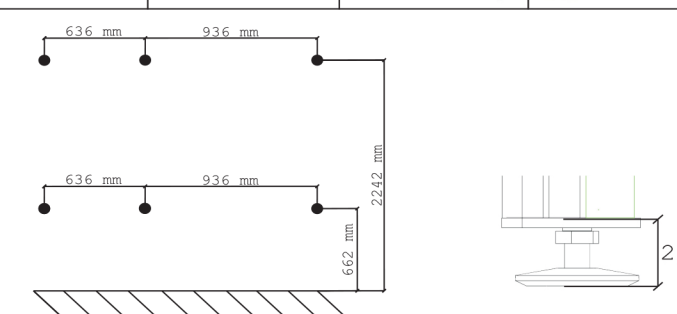
<b>F</b>	
----------	--



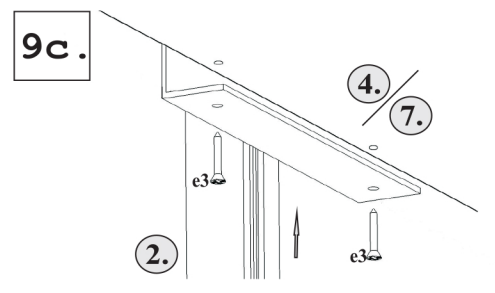
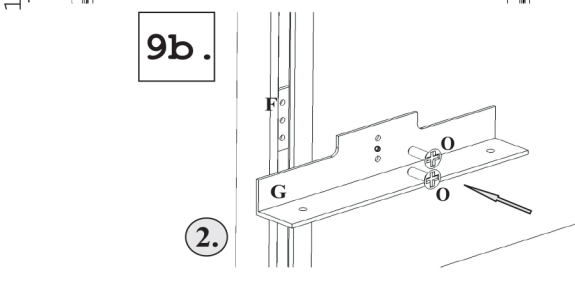
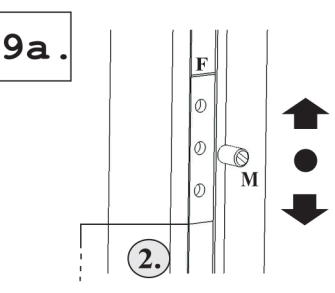
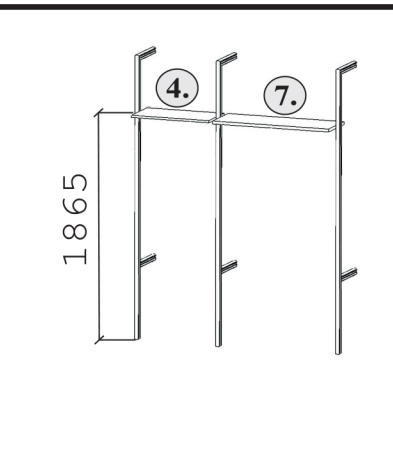
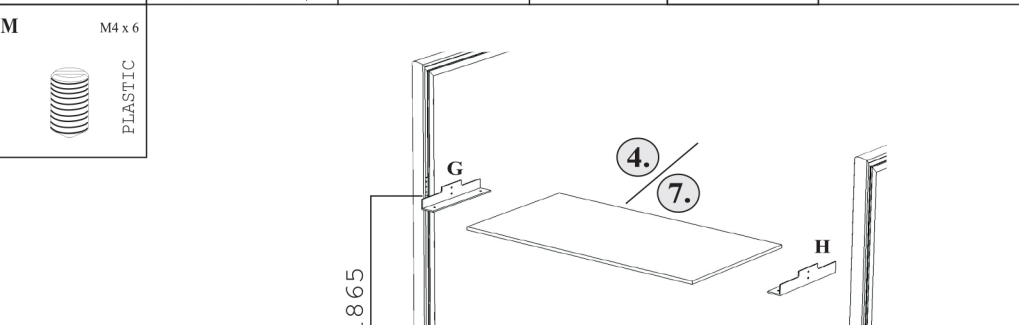
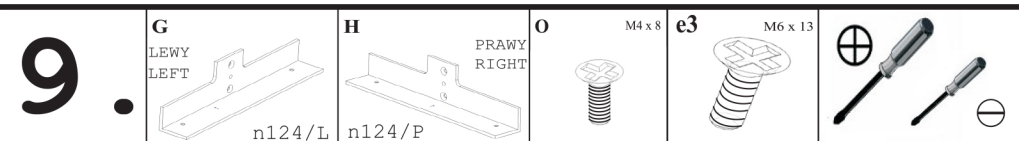
**4.**

<b>E</b>		<b>K</b>		<b>N</b> M4 x 25		<b>T</b> M8	
----------	--	----------	--	------------------	--	-------------	--



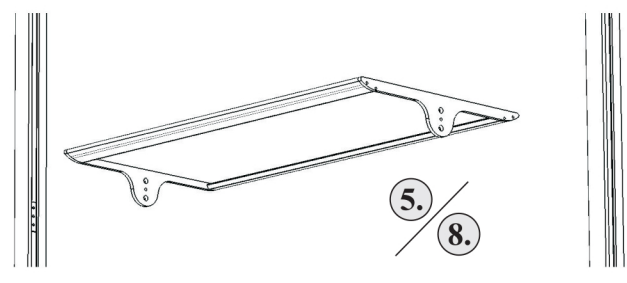
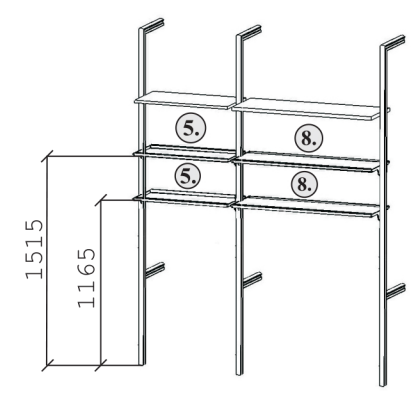


WARNING! DANGER, IF INCORRECTLY INSTALLED. INSTALLATION ONLY TO BE CARRIED OUT BY A COMPETENT PERSON, WHO WILL CHECK THAT THE FIXING MATERIAL AND THE WALL ARE APPROPRIATE.  
**THE SET DOES NOT CONTAIN SCREWS FASTENING TO THE WALL.**

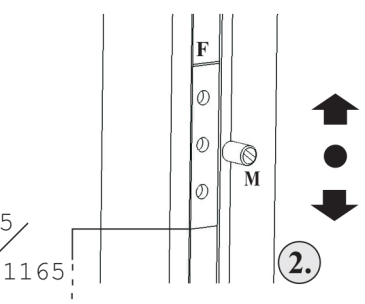


# 10.

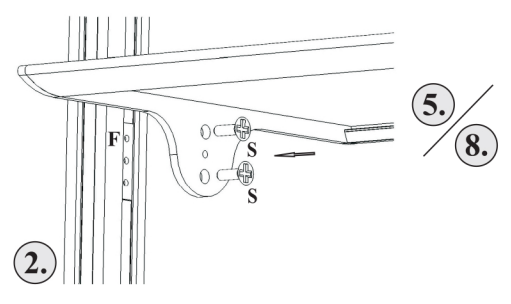
<b>M</b>	M4 x 6	<b>S</b>	M4 x 10
	PLASTIC		



10a.

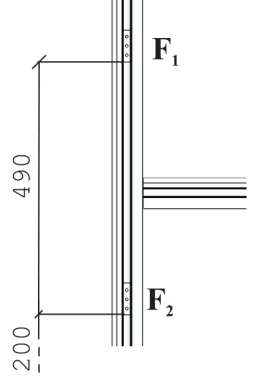
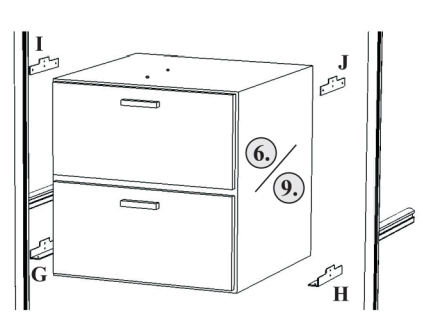


10b.

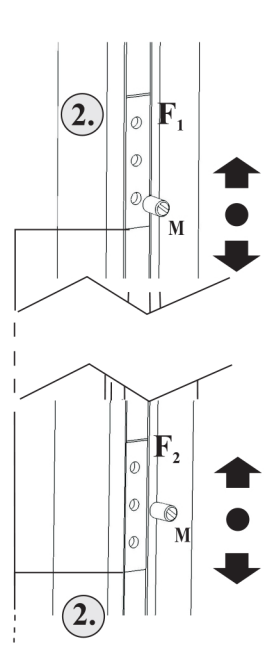


# 11.

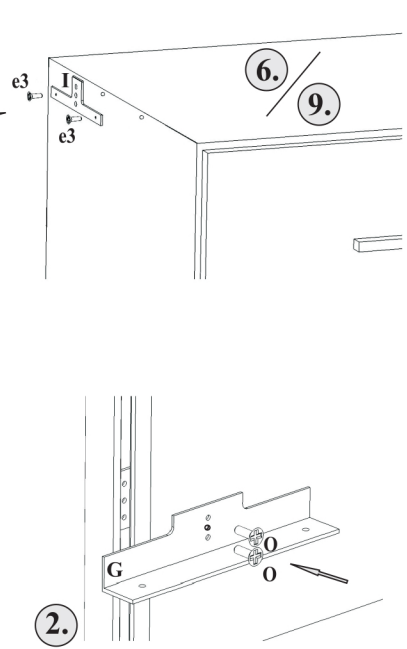
<b>G</b>	LEWY LEFT	<b>H</b>	PRAWY RIGHT	<b>I</b>	LEWY LEFT	<b>J</b>	PRAWY RIGHT	<b>O</b>	M4 x 8	<b>e3</b>	M6 x 13	<b>M</b>	M4 x 6
	n124/L		n124/P		n125/L		n125/P						PLASTIC



11a.



11b.



11c.

