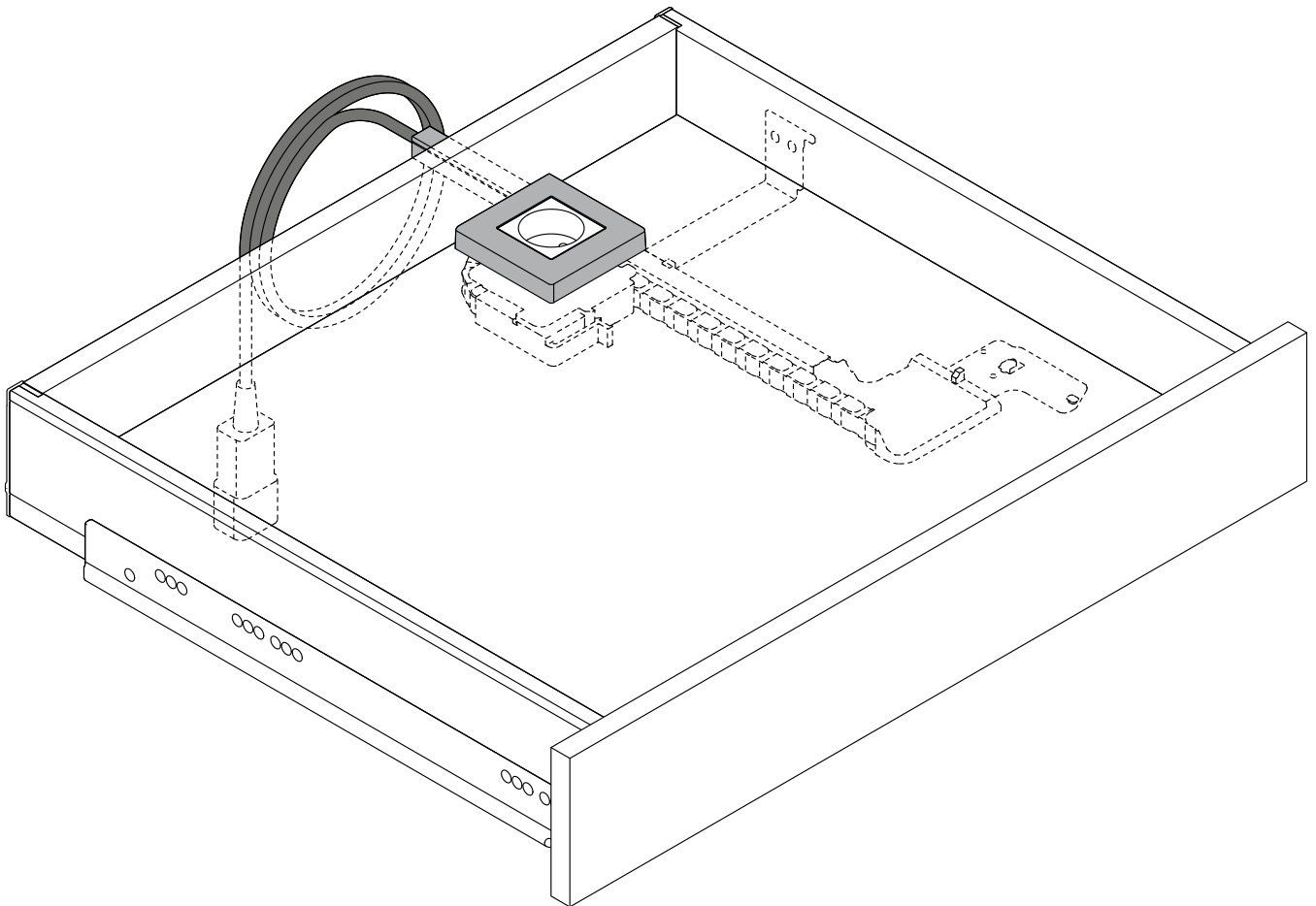




# AMPEROS AC





Standardanwendungen | Standard applications | Applications standard | Applicazioni standard | Aplicaciones estándar |  
 Rozwiązania standardowe | Стандартные конструкции | 标准应用



Planung | Planning | Planification |  
 Progettazione | Planificación |  
 Planowanie | Проектирование | 设计



Montage | Assembly | Montage |  
 Montaggio | Montaje | Montaż |  
 Монтаж | 安装



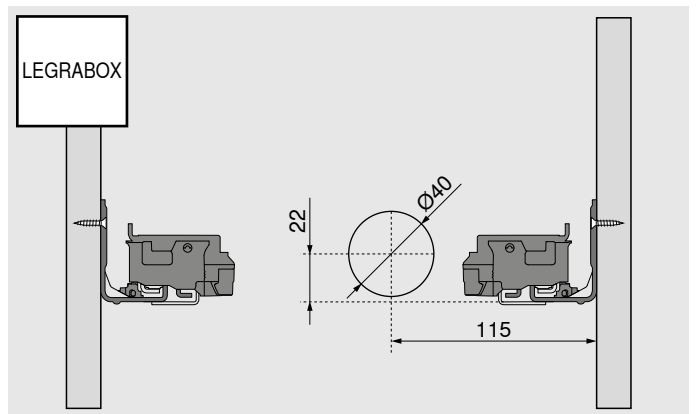
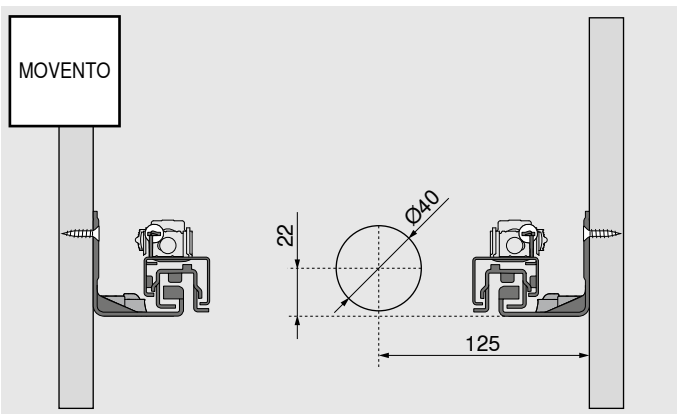
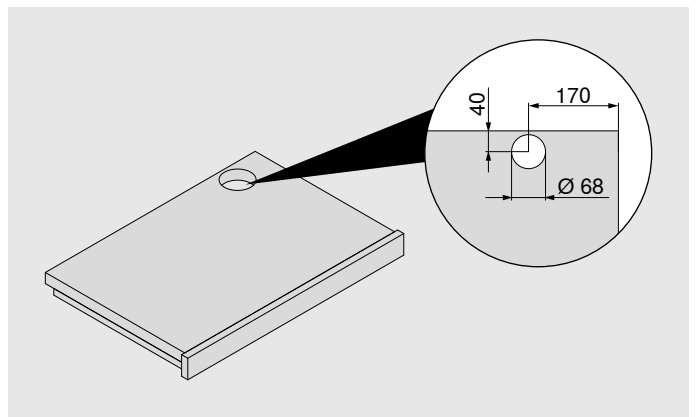
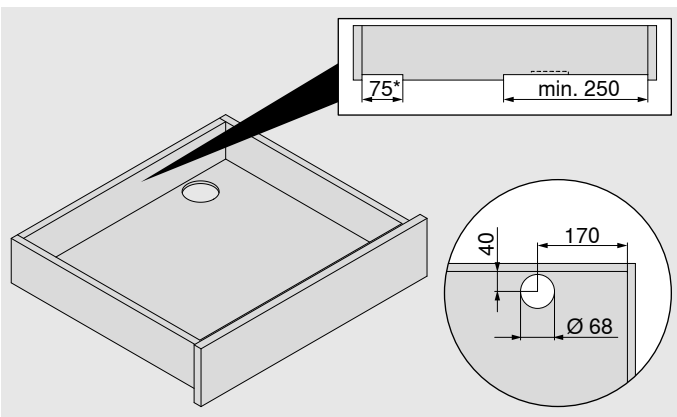
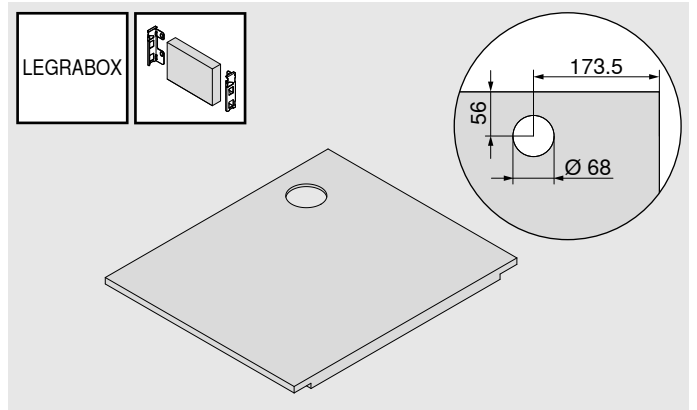
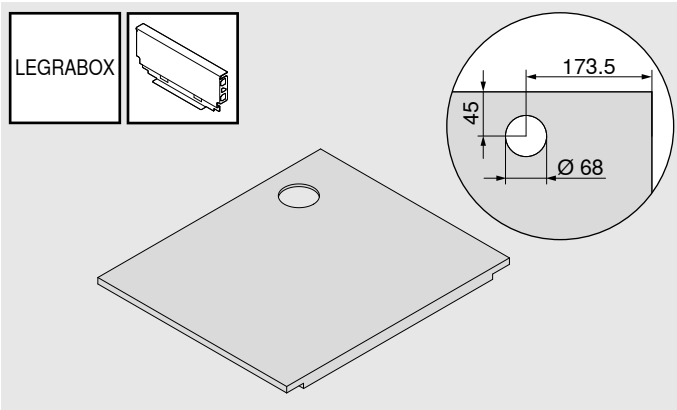
Klickbar | Clickable | Clicuable |  
 Cliccabile | Se puede hacer clic |  
 Klikalny | Кликабельно | 可点击

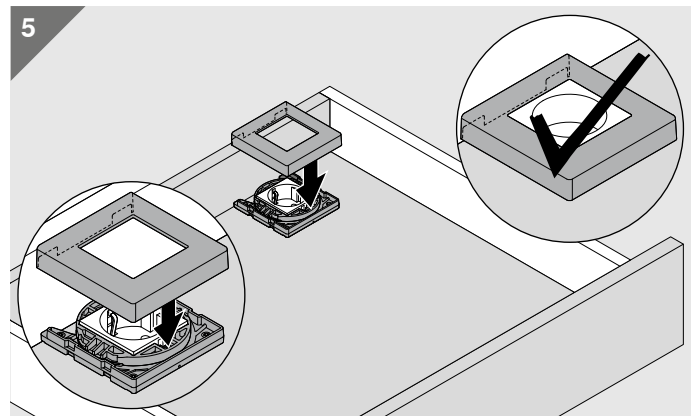
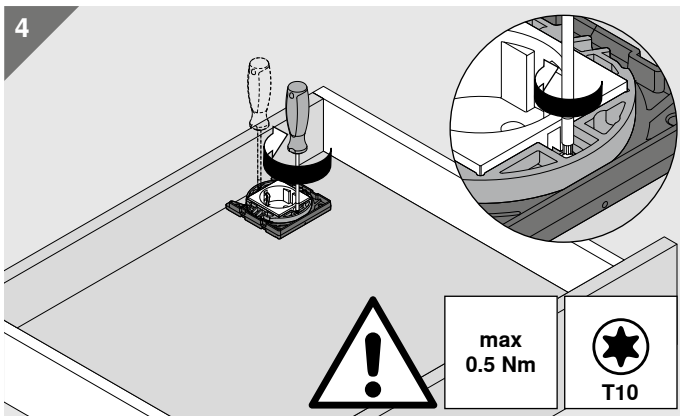
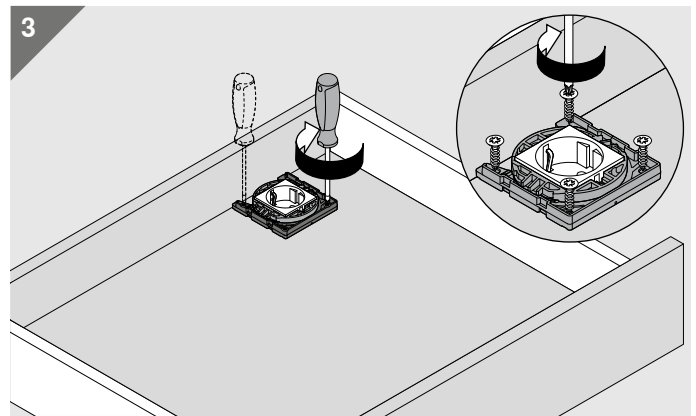
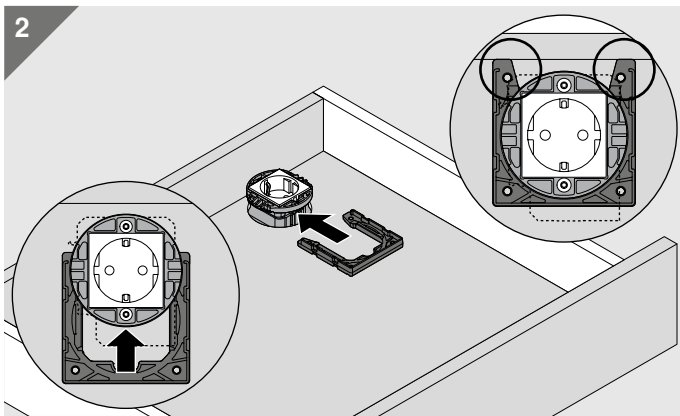
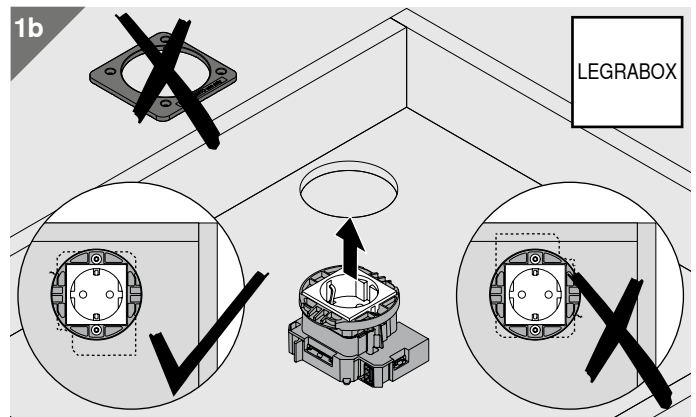
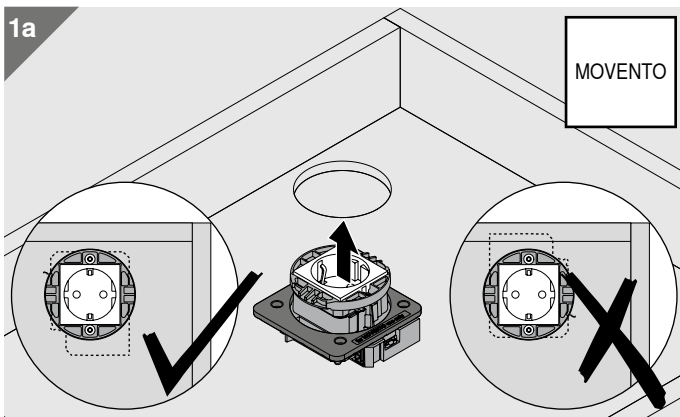
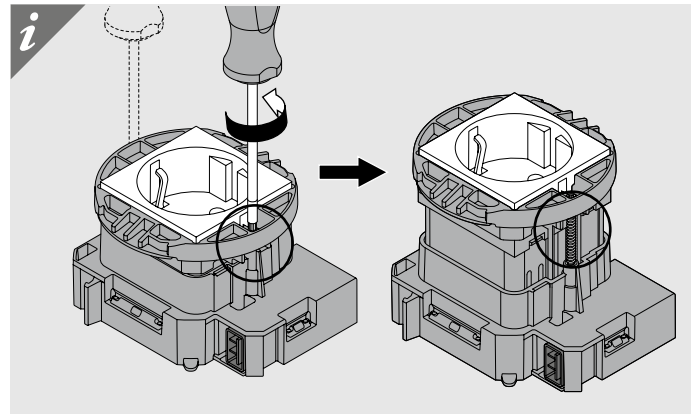
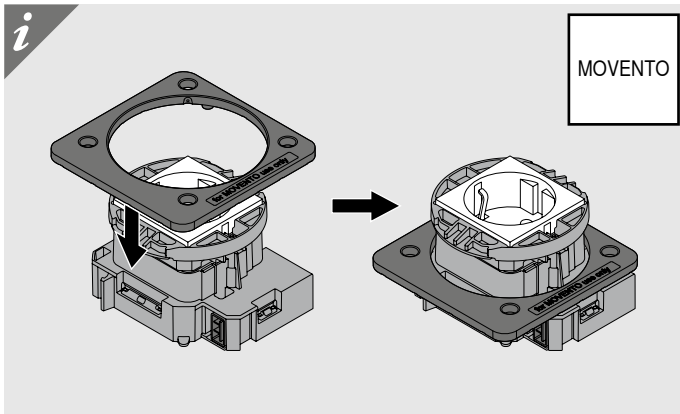


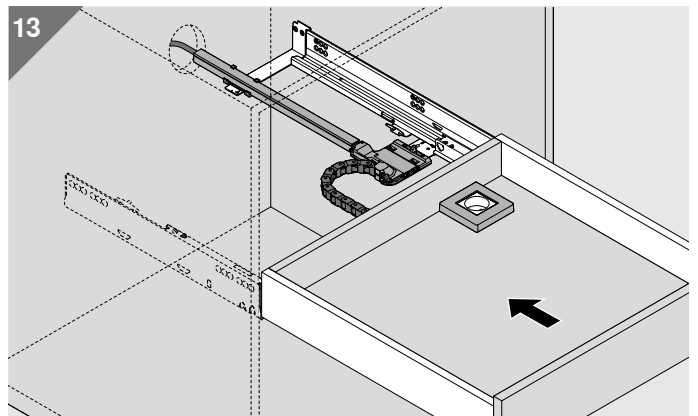
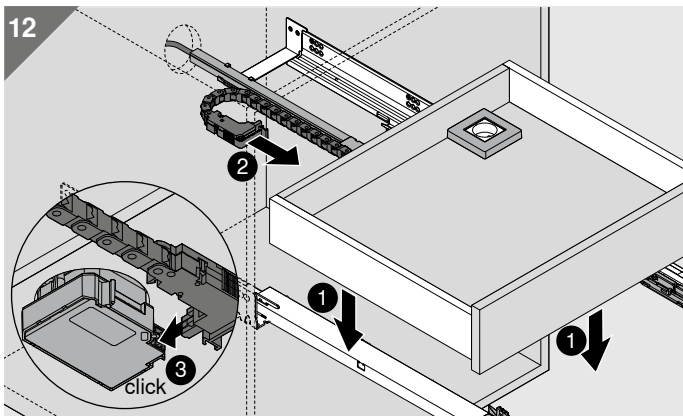
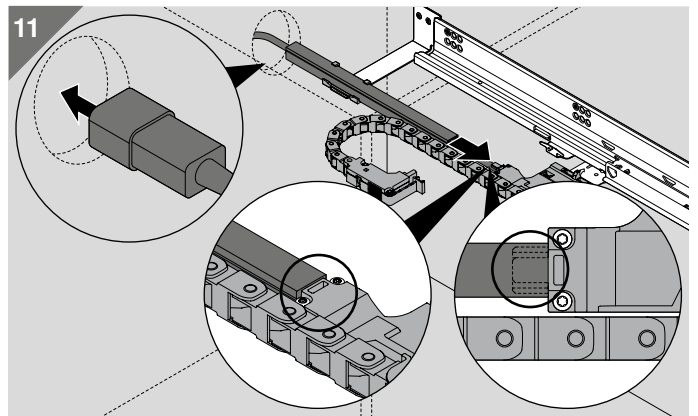
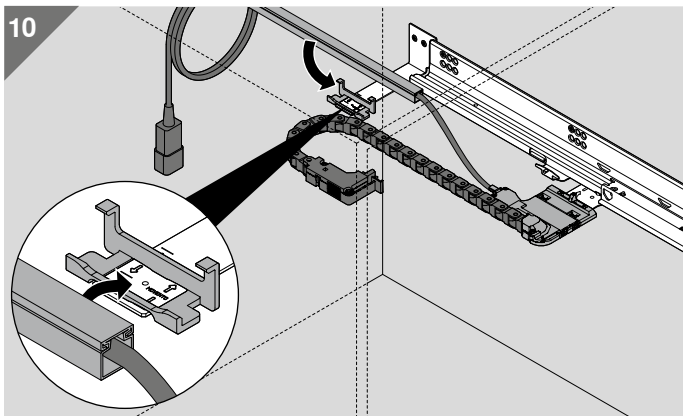
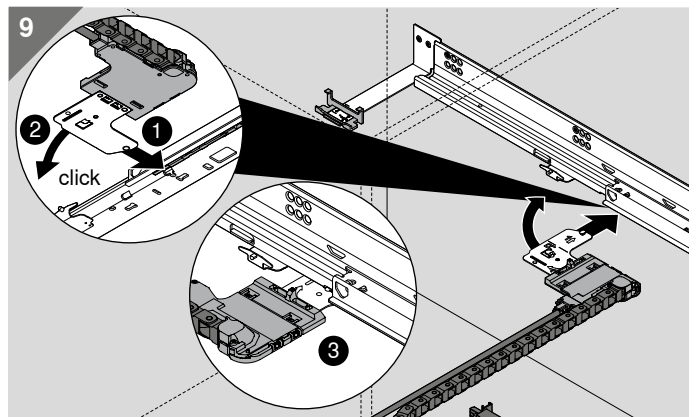
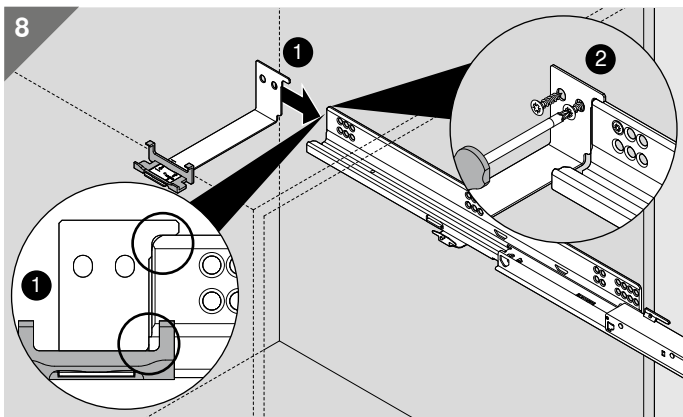
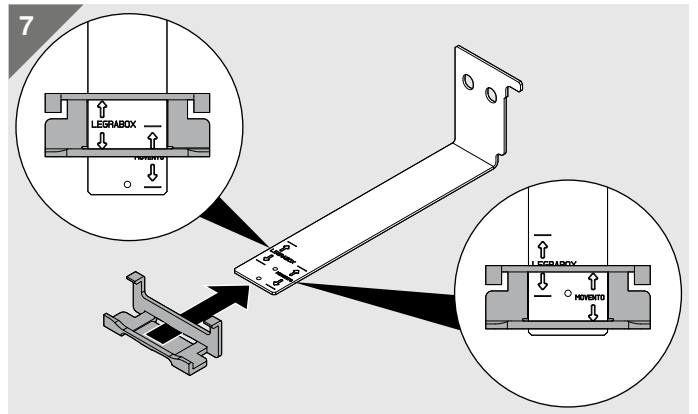
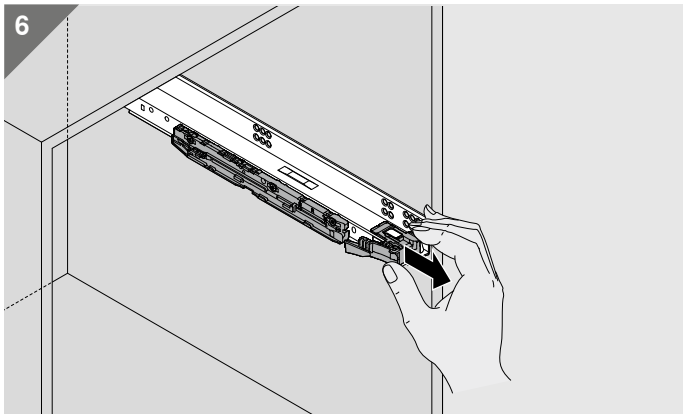
Nicht Klickbar | Not clickable |  
 Pas clicuable | Non cliccabile |  
 No se puede hacer clic |  
 Nie klikalny | Некликабельно |  
 不可点击

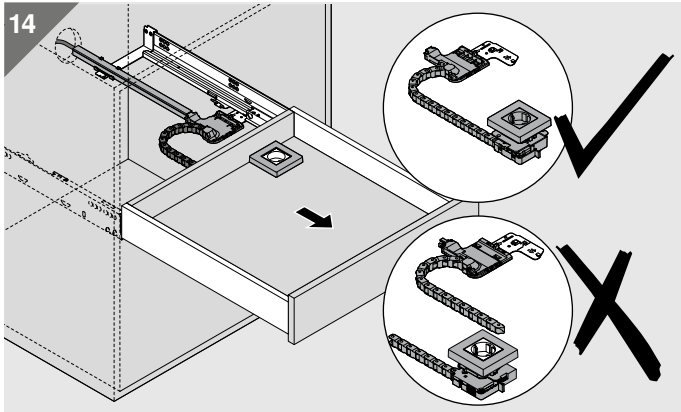


Zurück | Back | Retour | Indietro |  
 Hacia atrás | Wstecz | Назад | 返回

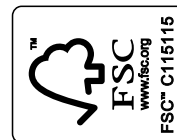








Look for our  
FSC™-certified  
products



MD-089/2ML - 04.25 - © Copyright by Blum

Julius Blum GmbH  
6973 Höchst, Austria  
Tel.: +43 5578 705-0  
Fax: +43 5578 705-44  
E-mail: [info@blum.com](mailto:info@blum.com)  
[www.blum.com](http://www.blum.com)

Our sites in Austria, Poland and China are certified to the international standards mentioned below.  
Our site in the USA is certified to ISO 9001.  
Our site in Brazil is certified to ISO 9001 and ISO 14001.



 **blum**®