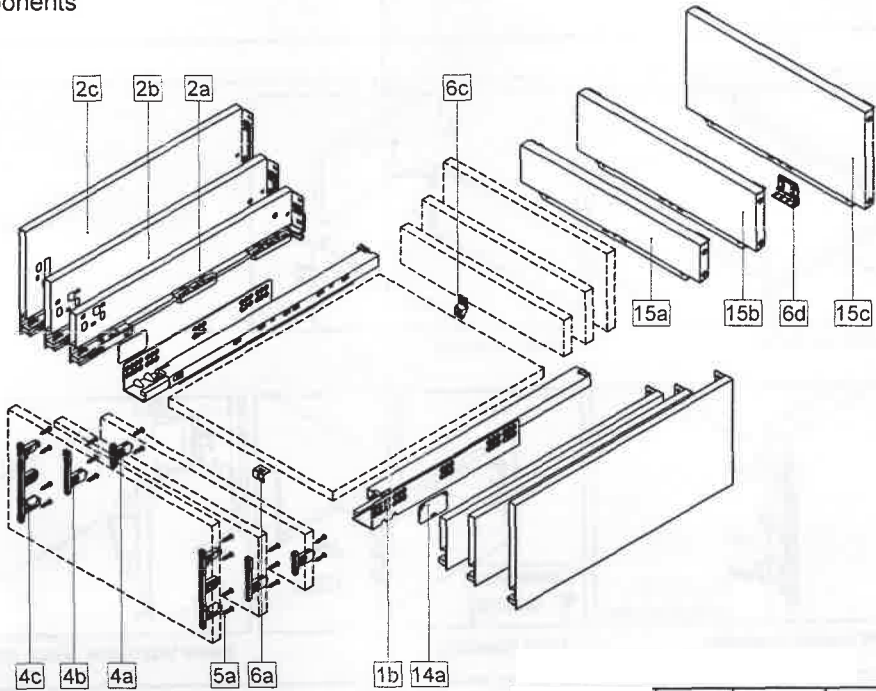


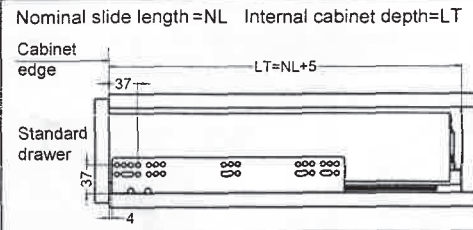
Components



1b. Cabinet profiles L/R	5a. Front fixing-brackets screw (Ø4x17)
2a. 89 Drawer Sides L/R	6a. Front fixing (for wide drawer)
2b. 121 Drawer Sides L/R	6c. Back fixing (for wide drawer)
2c. 185 Drawer Sides L/R	6d. Metal back fixing (for wide drawer)
4a. 89 Front fixing-brackets	14a. Side cover plate
4b. 121 Front fixing-brackets	15a. Metal back height 89
4c. 185 Front fixing-brackets	15b. Metal back height 121
	15c. Metal back height 185

Nominal length	Internal drawer length	Min. installation length of drawer
270mm	242mm	275mm
300mm	272mm	305mm
350mm	322mm	355mm
400mm	372mm	405mm
450mm	422mm	455mm
500mm	472mm	505mm
550mm	522mm	555mm
600mm	572mm	605mm
650mm	622mm	655mm

Installation dimensions (mm)



Drawer installation dimensions (mm)

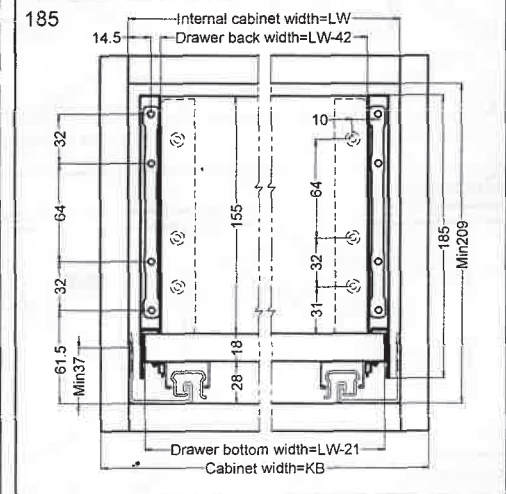
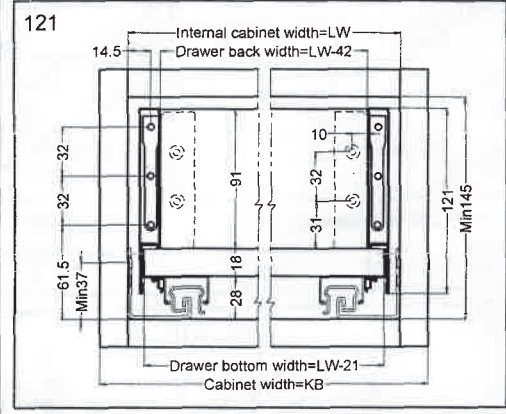
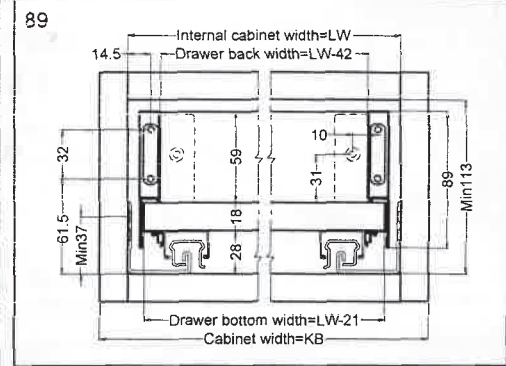
Selection	Drill Size
Wood screw	Ø2 x 12
Anchor bolt	Ø10 x 12

89 Drawer front

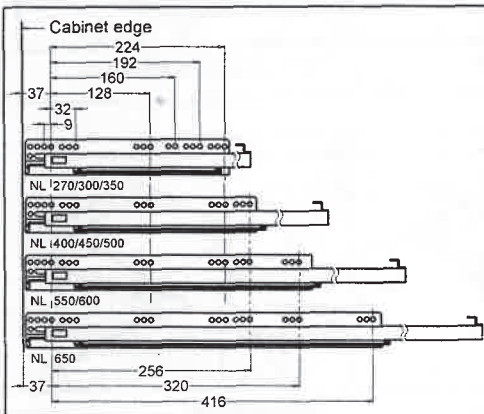
121 Drawer front

185 Drawer front

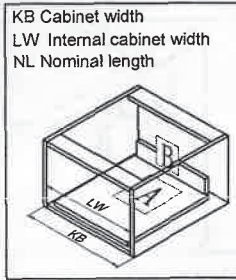
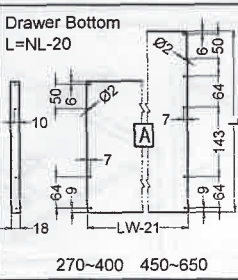
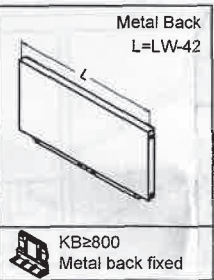
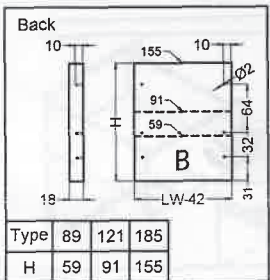
Drawer installation dimensions (mm)

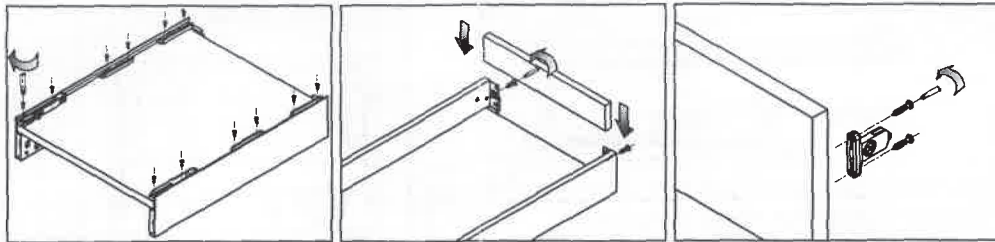


Screw positions of the sides (mm)



Drawer Back and Bottom Dimensions (mm)

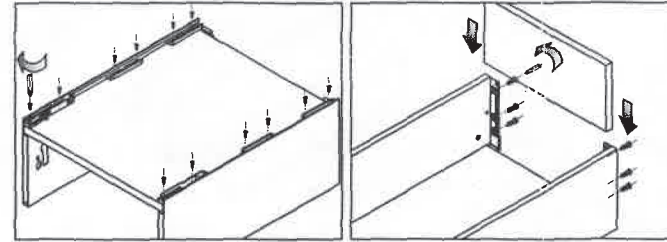




Bottom assembly

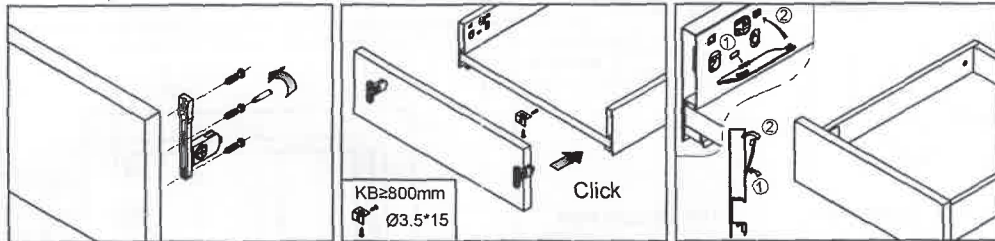
Back assembly

Front bracket assembly



Bottom assembly

Back assembly



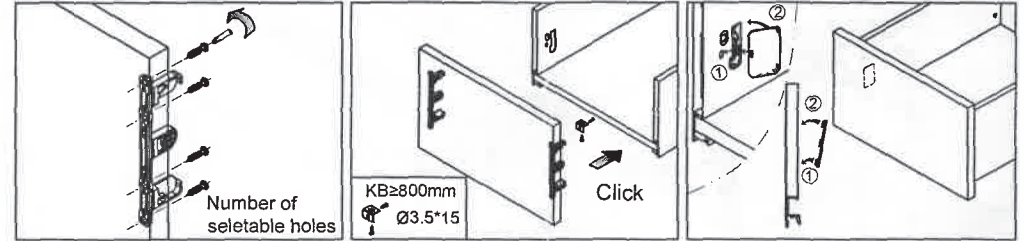
Front bracket assembly

Front assembly

Inside Wall Cover assembly

KB≥800mm
Ø3.5*15

Click



Front bracket assembly

Front assembly

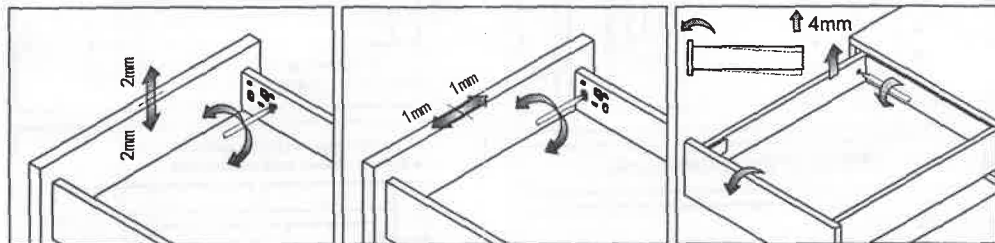
Inside Wall Cover assembly

Number of
selectable holes

KB≥800mm
Ø3.5*15

Click

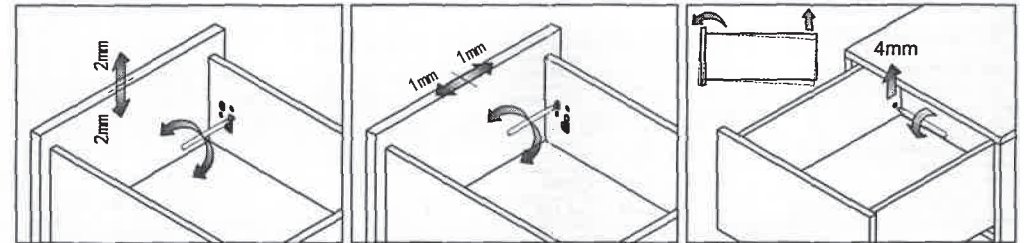
Adjustment



Up&down adjustment

Left&right adjustment

Front slope angle adjustment

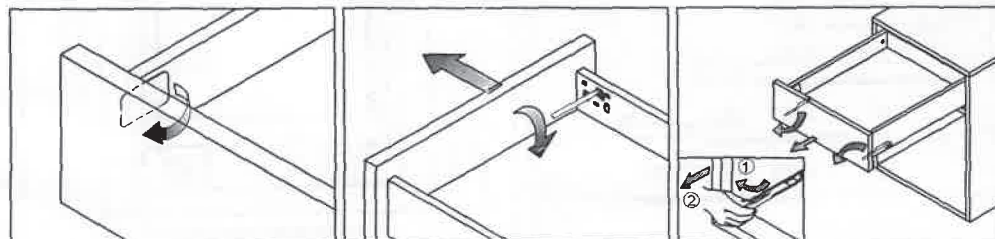


Up&down adjustment

Left&right adjustment

Front slope angle adjustment

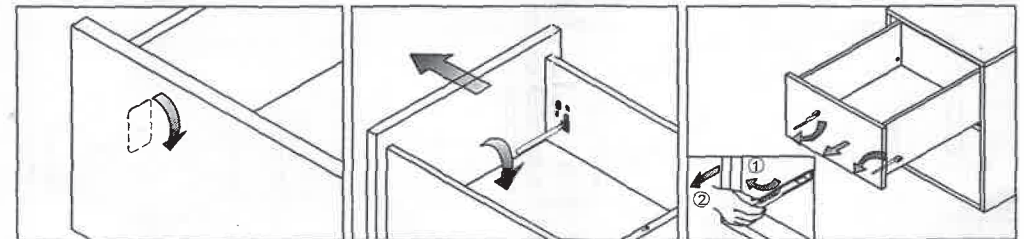
Removal



Tip up the cover and pull out

Removal drawer front

Removal drawer

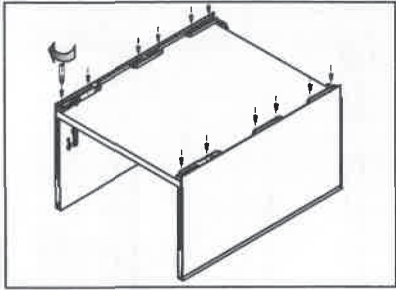


Tip up the cover and pull out

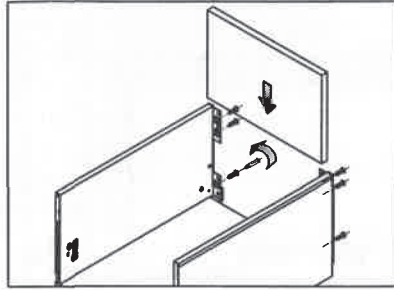
Removal drawer front

Removal drawer

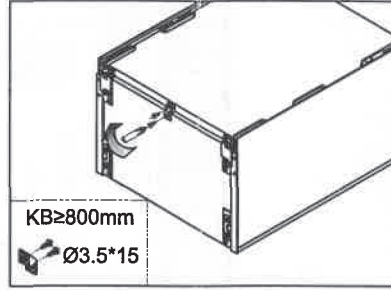
Assembly-



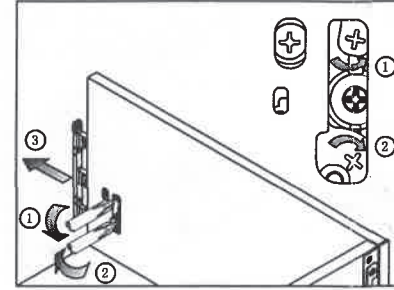
Bottom assembly



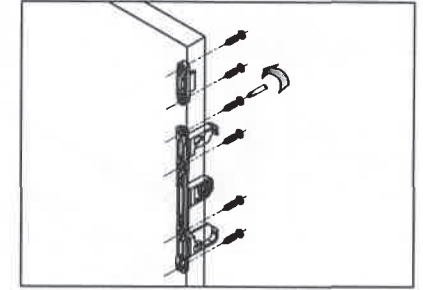
Back assembly



Back fixing assembly

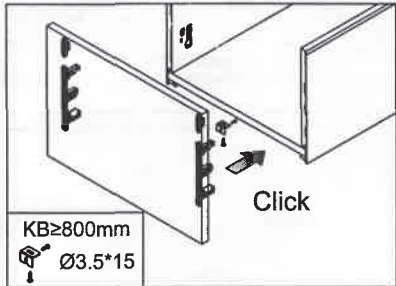


Front bracket release

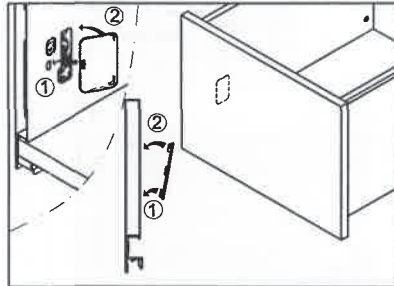


Front bracket assembly

Assembly

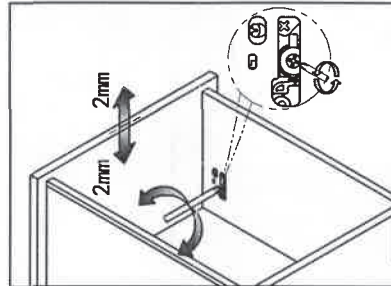


Front assembly

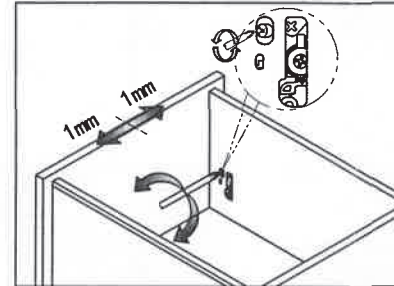


Inside Wall Cover assembly

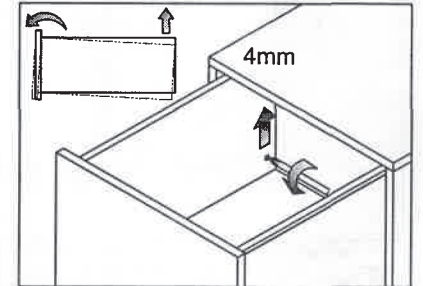
Adjustment



Up&down adjustment

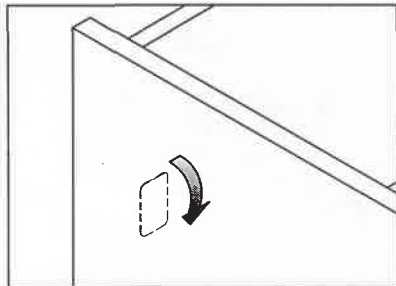


Left&right adjustment

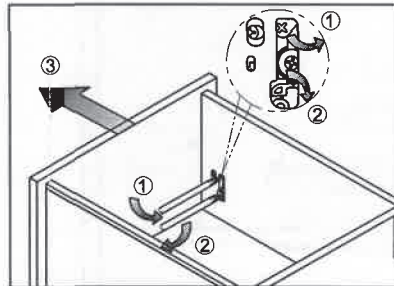


Front slope angle adjustment

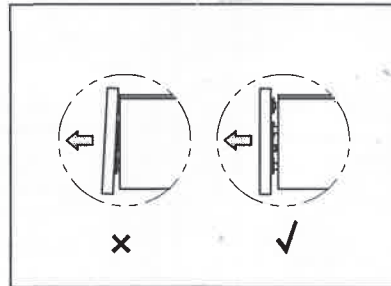
Removal



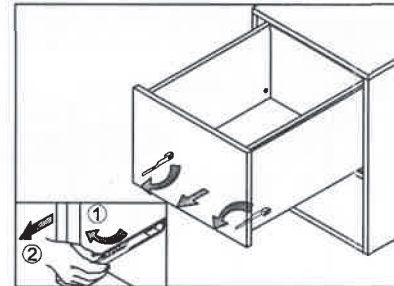
Tip up the cover and pull out



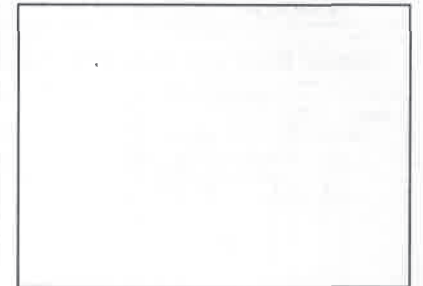
Removal drawer front



Move the drawer front out horizontally

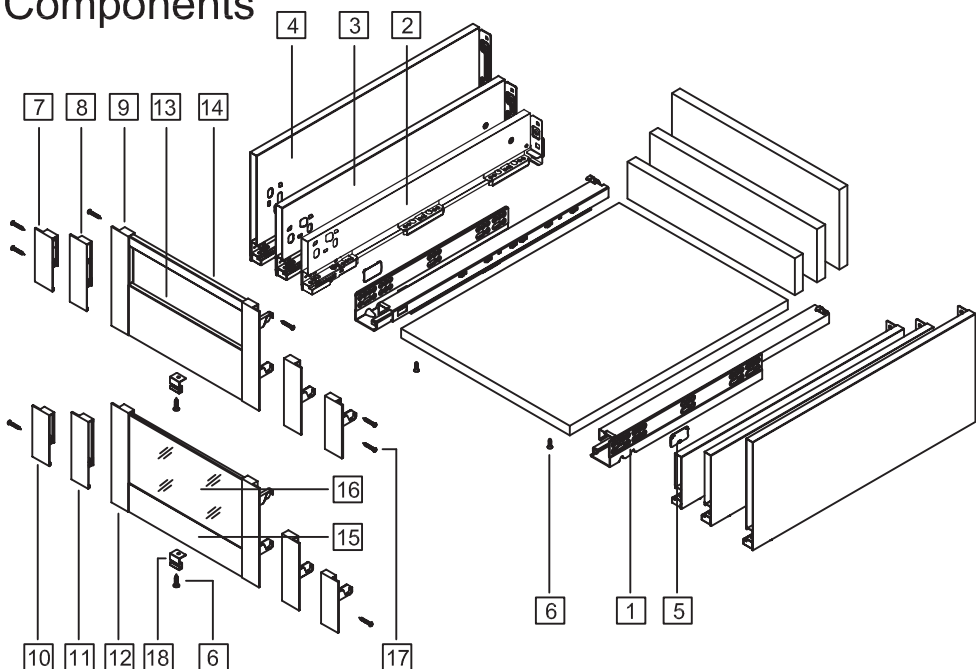


Removal drawer



StrongMax18 H 89/121/185 Inner drawer

Components



1. Cabinet profiles: L/R	10. 89-2 Front Fixing brackets L/R	Nominal length	Internal drawer length	Min.installation length of drawer
2. 89 Drawer profiles: L/R	11. 121-2 Front Fixing brackets L/R			
3. 121 Drawer profiles: L/R	12. 185-2 Front Fixing brackets L/R			
4. 185 Drawer profiles: L/R	13. 1 Front section			
5. Side cover plate	14. Cross square rail			
6. Bottom & Back screw (Ø3.5x15)	15. 2 Front section	270mm	234mm	275mm
7. 89-1 Front Fixing brackets L/R	16. Glass Front (89/121/185)	300mm	264mm	305mm
8. 121-1 Front Fixing brackets L/R	17. Front section Screw (Ø4x30/Ø4x17)	350mm	314mm	355mm
9. 185-1 Front Fixing brackets L/R	18. Bottom fixed	400mm	364mm	405mm
		450mm	414mm	455mm
		500mm	464mm	505mm
		550mm	514mm	555mm

Drawer Back and Bottom Dimensions

Metal Back L=LW-42

KB ≥ 800mm
Metal back fixed

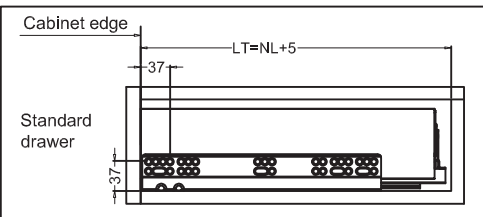
Drawer Bottom L=NL-20

270~400 450~550

KB Cabinet width
LW Internal cabinet width
NL Nominal length

Installation dimensions (mm)

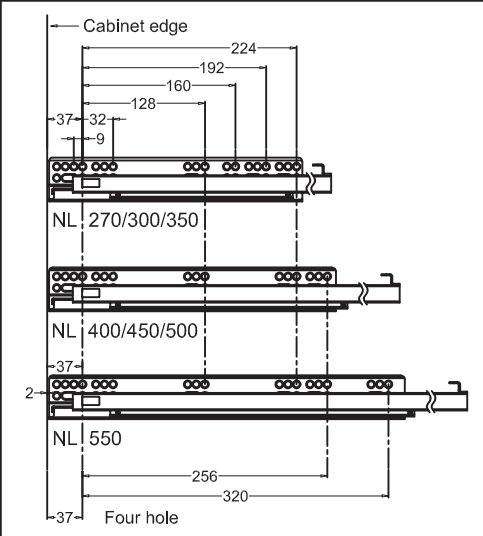
Nominal slide length=NL Internal cabinet depth=LT



Accessories cutting (mm)

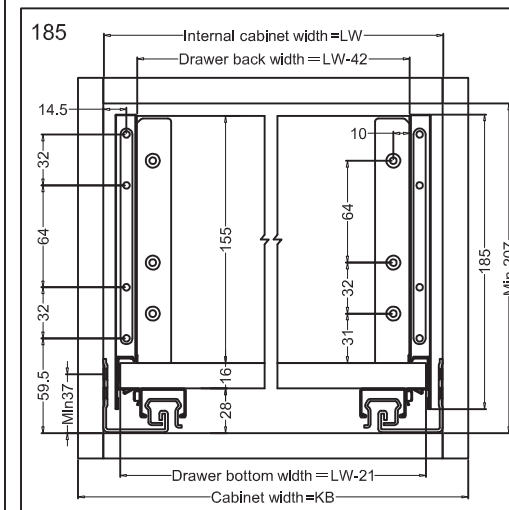
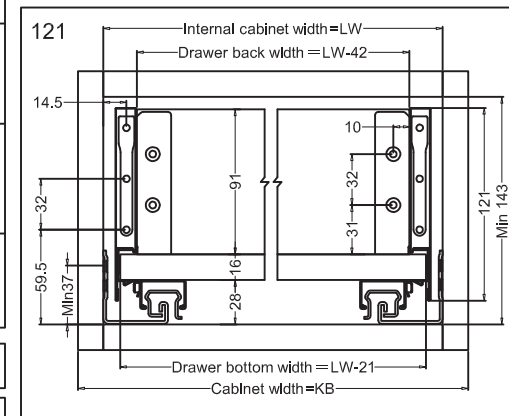
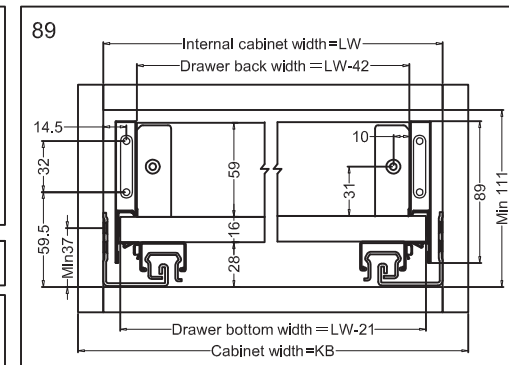
14. 808-1 Front section L=LW-87		KB ≥ 800mm
16. 808-2 Front section L=LW-87		KB ≥ 800mm
17. 808 Glass Front (89/121/185) L=LW-55		
15. Cross square rail L=LW-55		

Screw positions of the sides

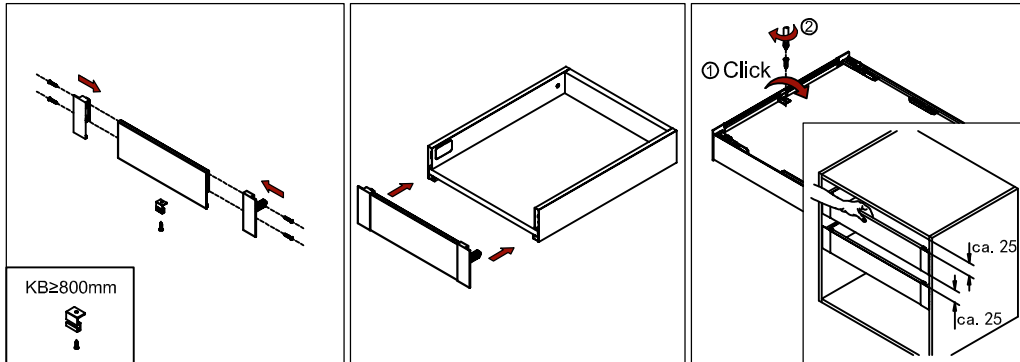


Drawer installation dimensions (mm)

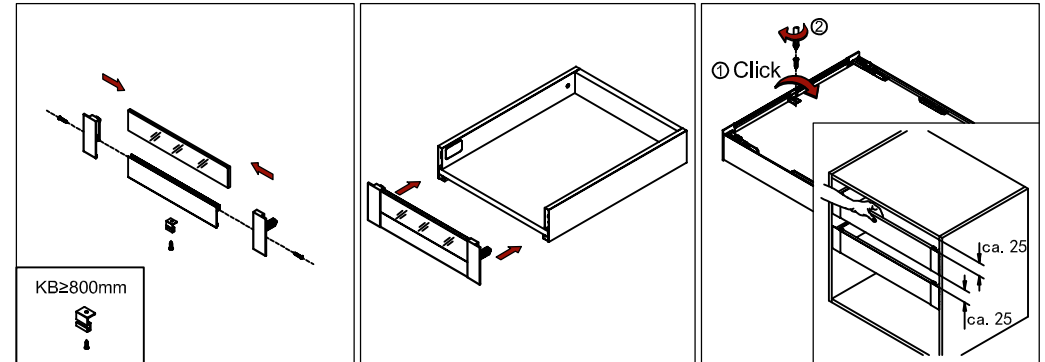
LW=Internal cabinet width



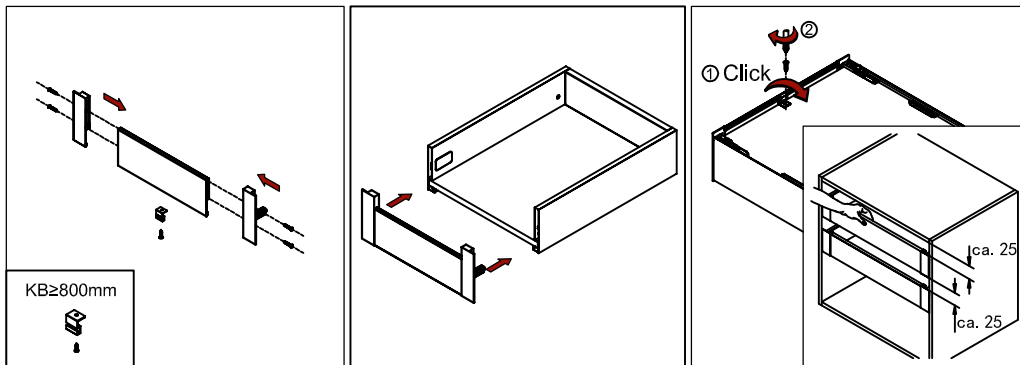
StrongMax - 89 Inner drawer front assembly



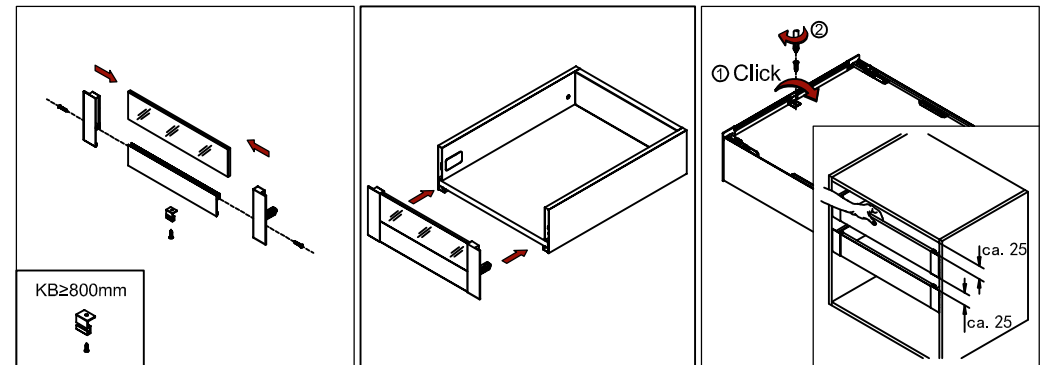
StrongMax - 89 Inner drawer glass front assembly



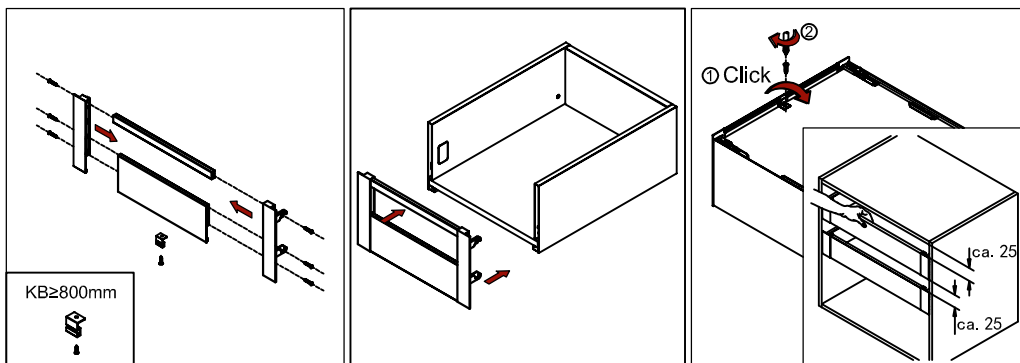
StrongMax - 121 Inner drawer front assembly



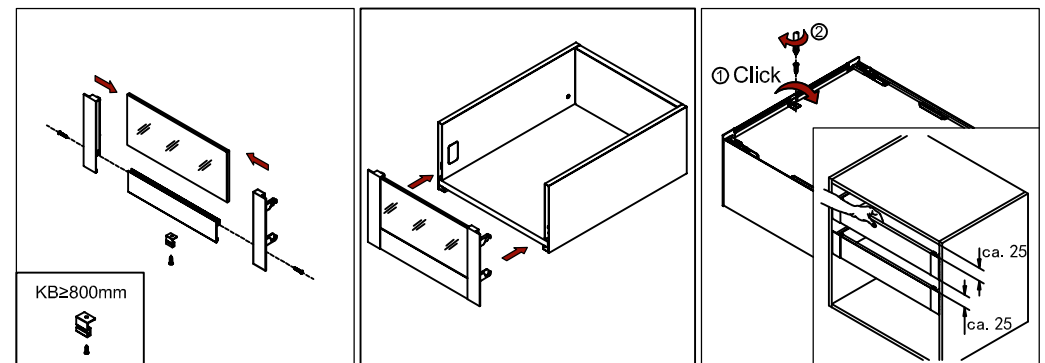
StrongMax - 121 Inner drawer glass front assembly



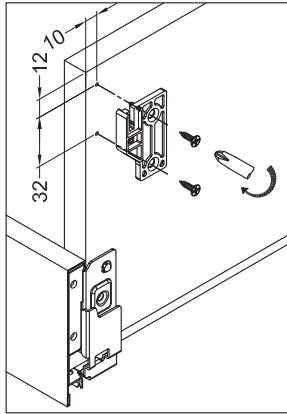
StrongMax - 185 Inner drawer front assembly



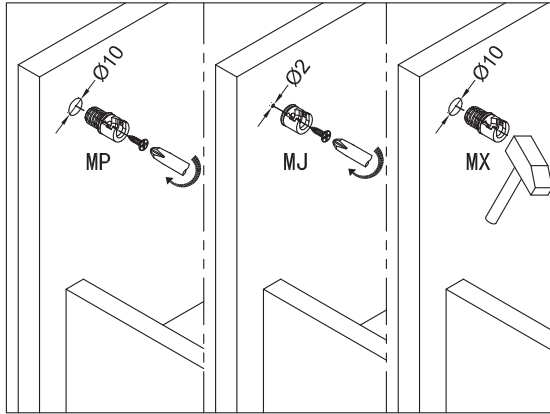
StrongMax - 185 Inner drawer glass front assembly



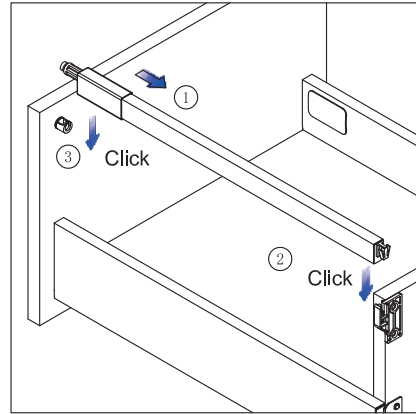
StrongMax Extension Rails



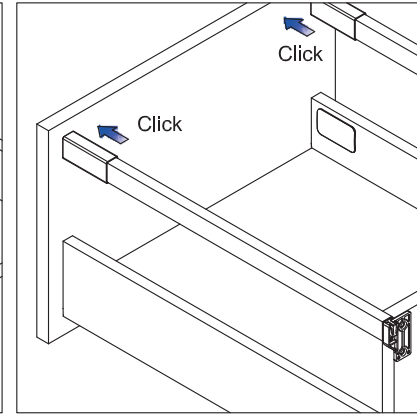
Fix rail rear brackets L/R



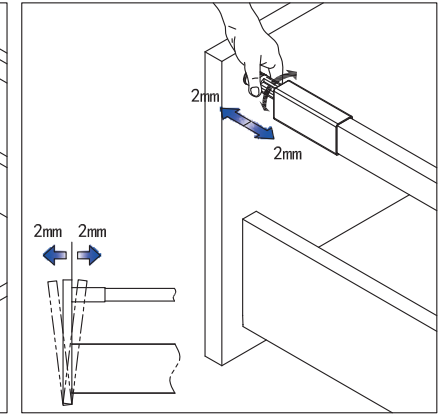
Fix dowels (MP/MJ/MX)



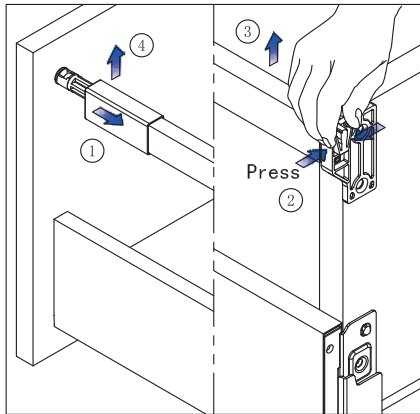
Click on rails L/R



Slide-on the cover, Done!



Turn insert to adjust length of rail



Remove the rails