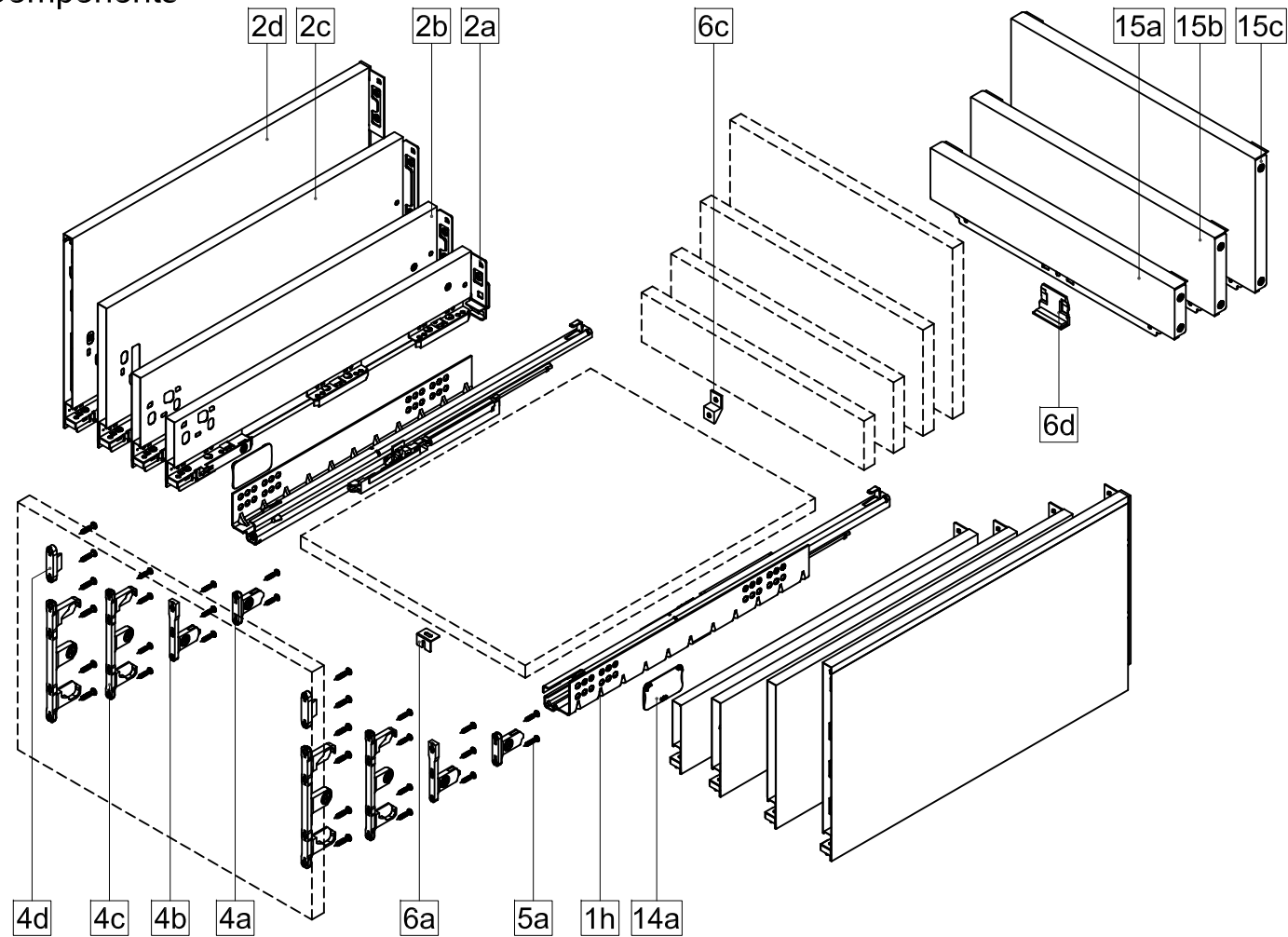




StrongMax Uni 16/18 zásuvka

H 89/121/185/249 NL 270 - 550

Components

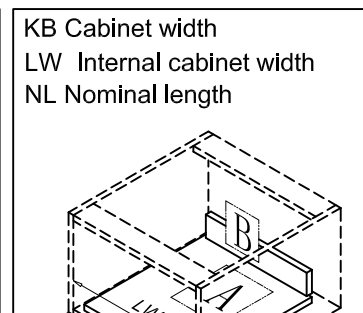
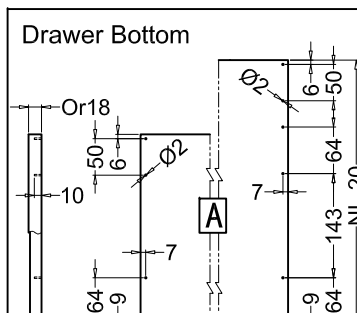
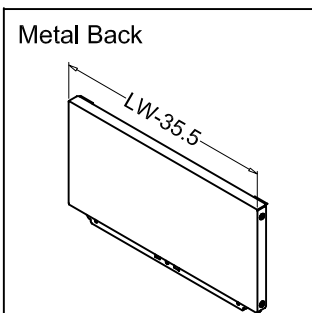
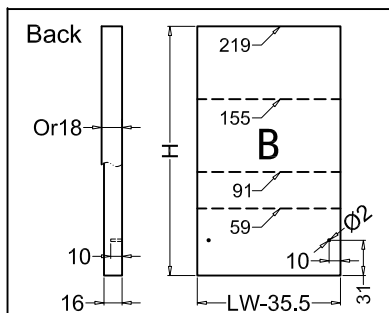


| | |
|-------------------------------|---|
| 1h. Cabinet profiles L/R | 5a. Front fixing-brackets screw (Ø4x17) |
| 2a. 89 Drawer Sides L/R | 6a. Front fixing (for wide drawer) |
| 2b. 121 Drawer Sides L/R | 6c. Back fixing (for wide drawer) |
| 2c. 185 Drawer Sides L/R | 6d. Metal back fixing (for wide drawer) |
| 2d. 249 Drawer Sides L/R | 14a. Side cover plate |
| 4a. 89 Front fixing-brackets | 15a. Metal back height 89 |
| 4b. 121 Front fixing-brackets | 15b. Metal back height 121 |
| 4c. 185 Front fixing-brackets | 15c. Metal back height 185 |
| 4d. 249 Front fixing-brackets | |

*** Please refer to the Item No.

| Nominal length | Internal drawer length | Min.installation length of drawer |
|----------------|------------------------|-----------------------------------|
| 270mm | 244mm | 275mm |
| 300mm | 274mm | 305mm |
| 350mm | 324mm | 355mm |
| 400mm | 374mm | 405mm |
| 450mm | 424mm | 455mm |
| 500mm | 474mm | 505mm |
| 550mm | 524mm | 555mm |

Drawer Back and Bottom Dimensions (mm)

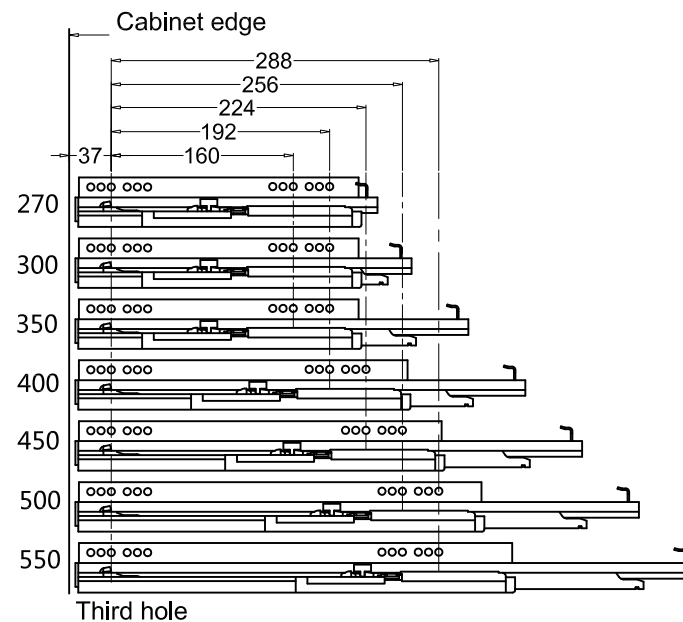
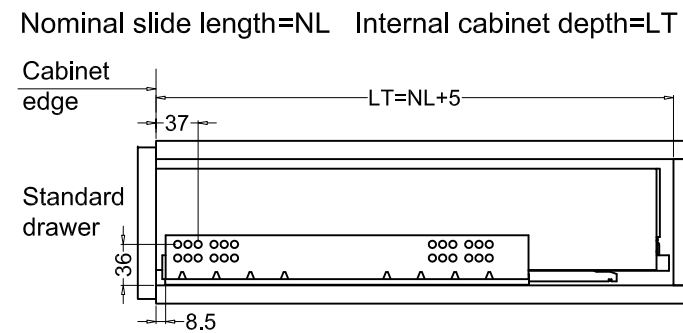


| Type | 89 | 121 | 185 | 249 |
|------|----|-----|-----|-----|
| H | 59 | 91 | 155 | 219 |

KB ≥ 800
Metal back fixed

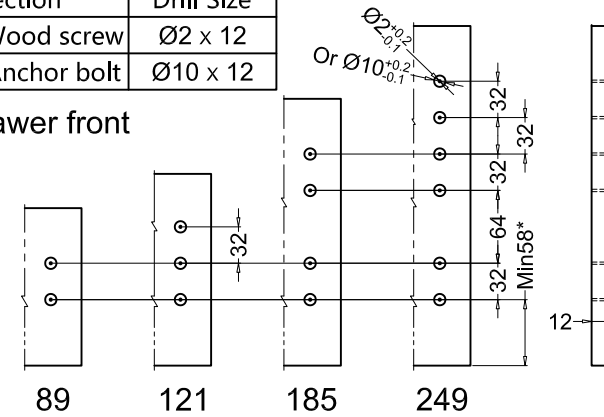
270~400 450~550

Installation dimensions (mm)

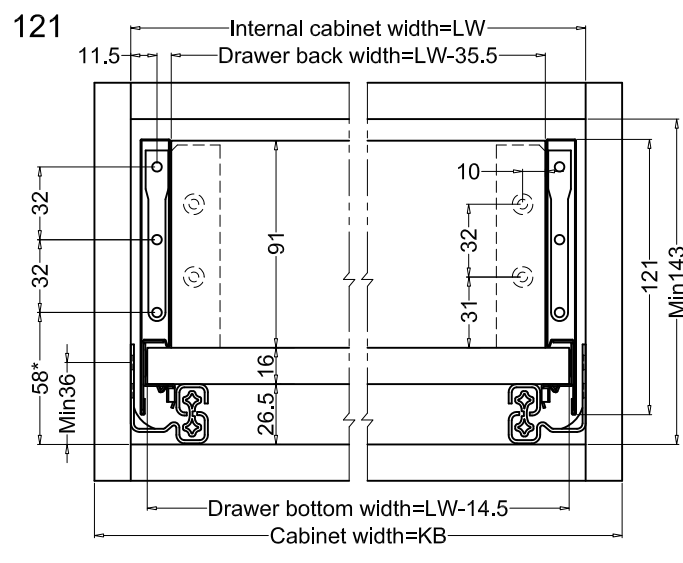


| Selection | Drill Size |
|-------------|------------|
| Wood screw | Ø2 x 12 |
| Anchor bolt | Ø10 x 12 |

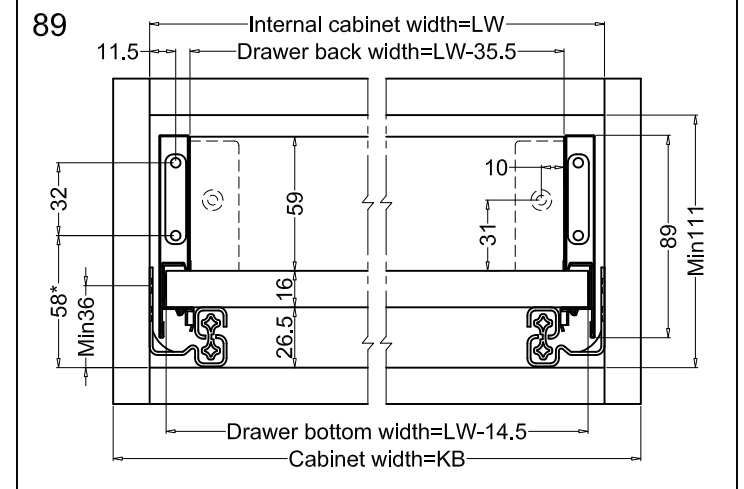
Drawer front



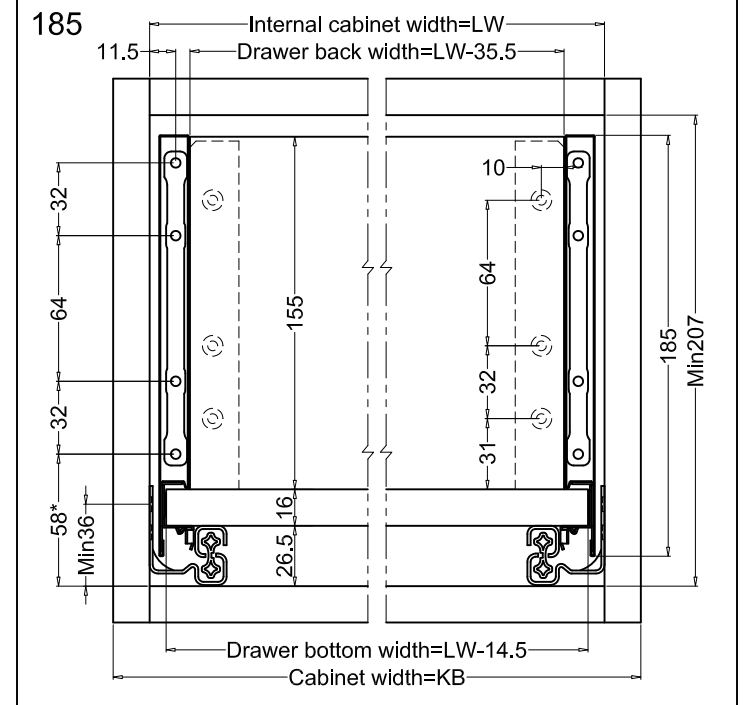
121



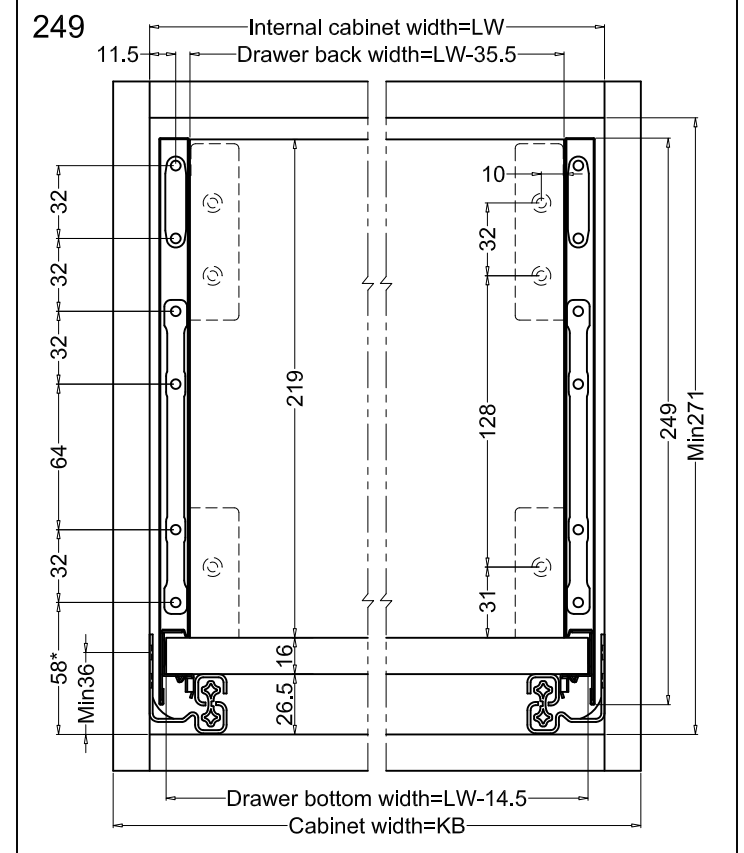
89



185

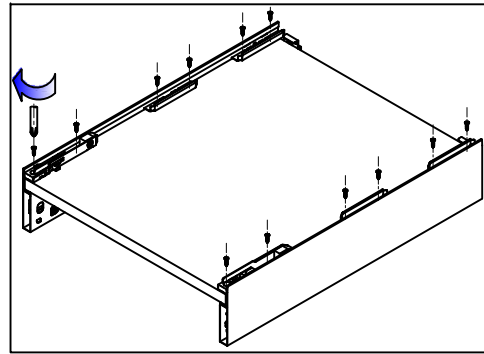


249

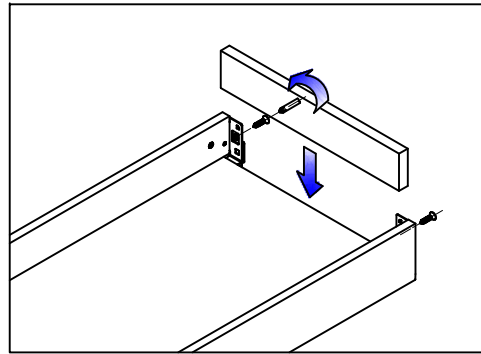


Note : When the bottom of the drawer is 18mm, the size with * needs to be increased by 2mm.

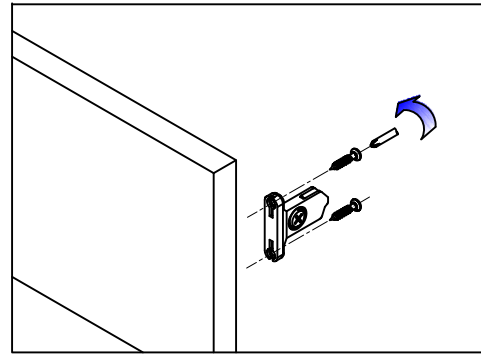
Assembly



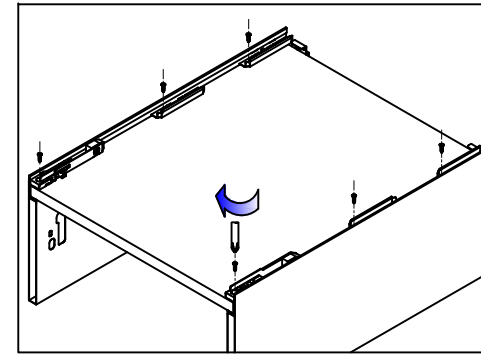
Bottom assembly



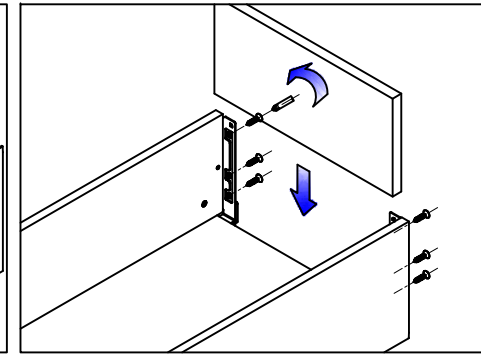
Back assembly



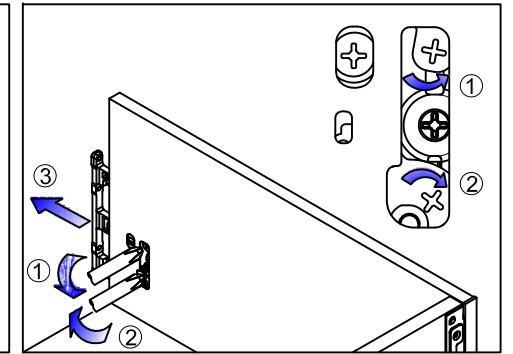
Front bracket assembly



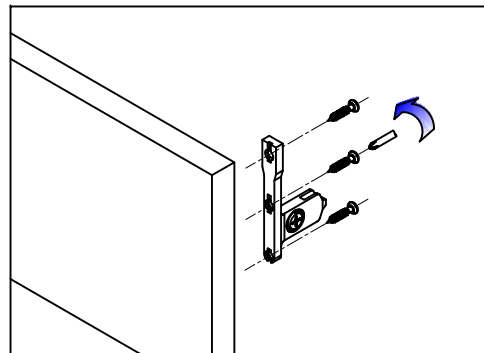
Bottom assembly



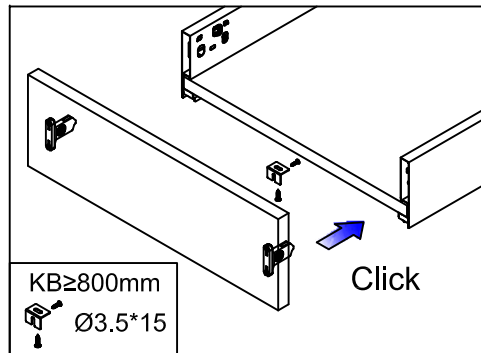
Back assembly



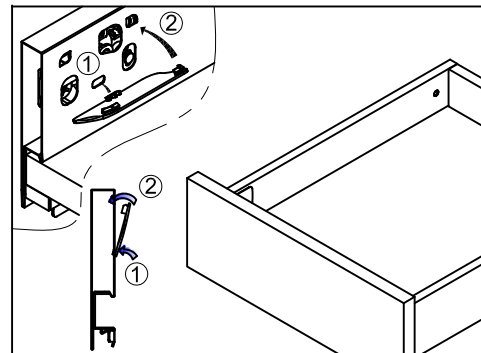
249 Front fixing-bracket release



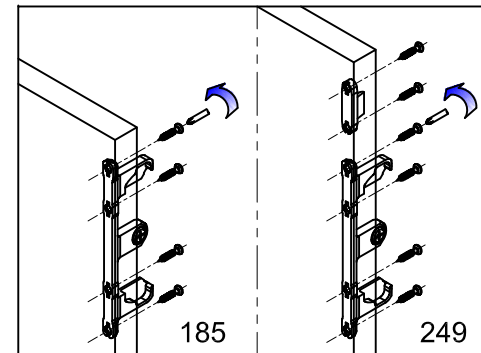
Front bracket assembly



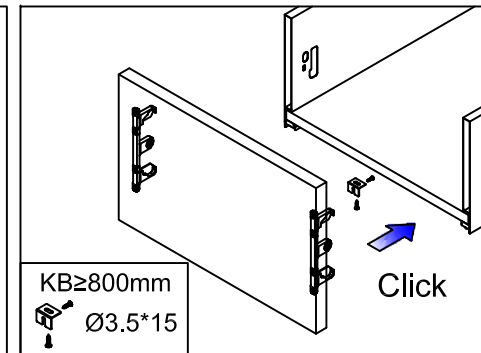
Front panel assembly



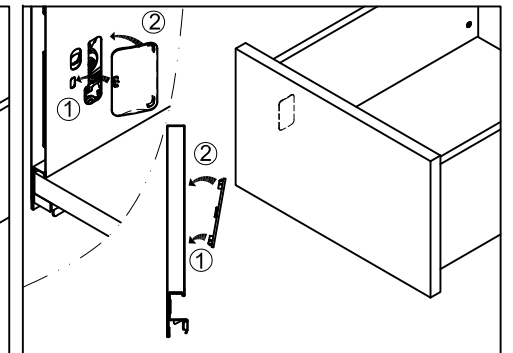
Side panel Cover assembly



Front bracket assembly

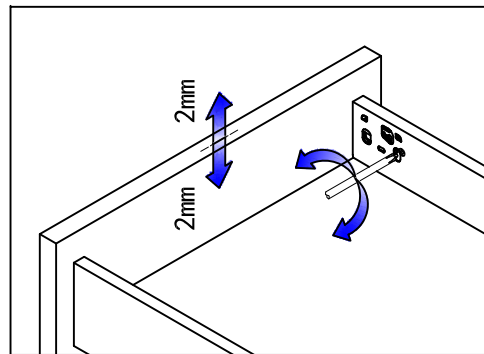


Front panel assembly

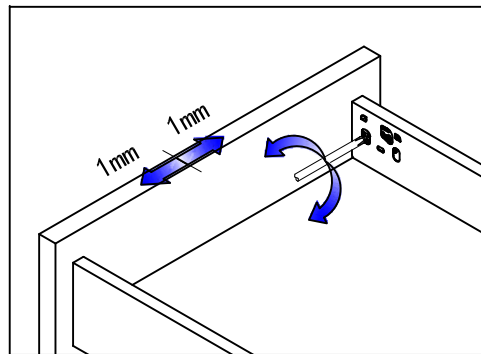


Side panel Cover assembly

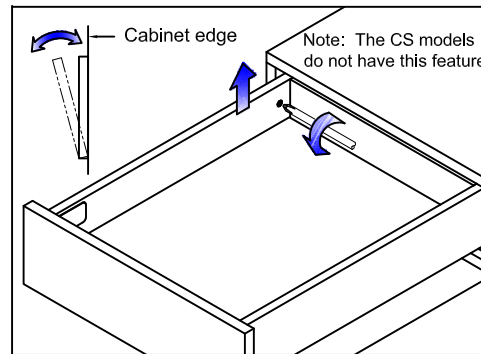
Adjustment



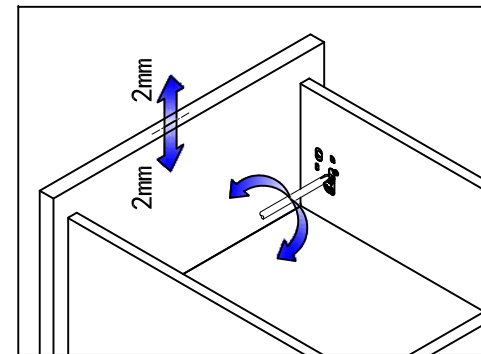
Up&down adjustment



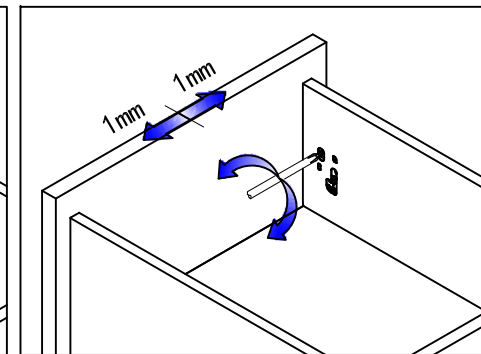
Left&right adjustment



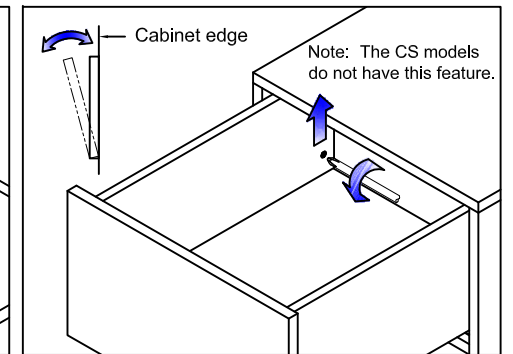
Tilting adjustment



Up&down adjustment

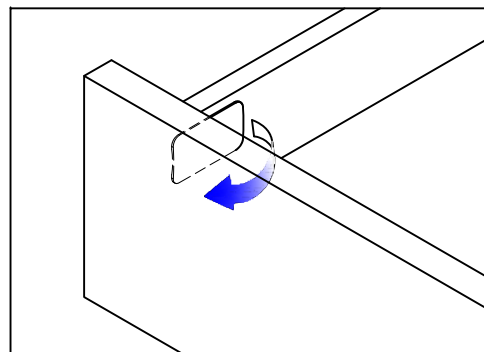


Left&right adjustment

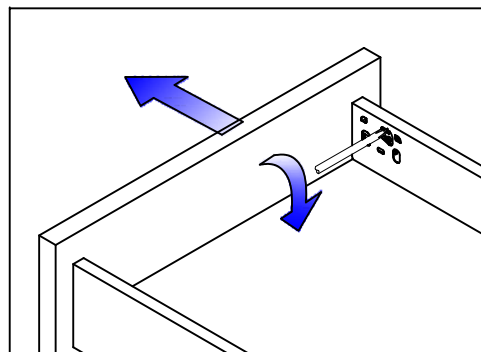


Tilting adjustment

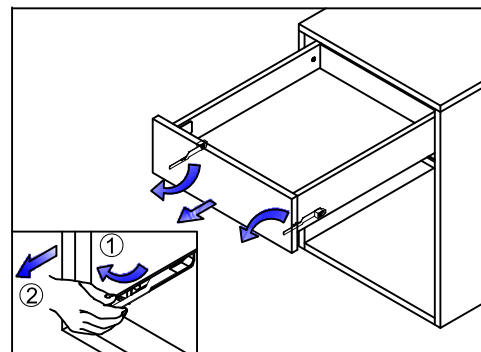
Removal



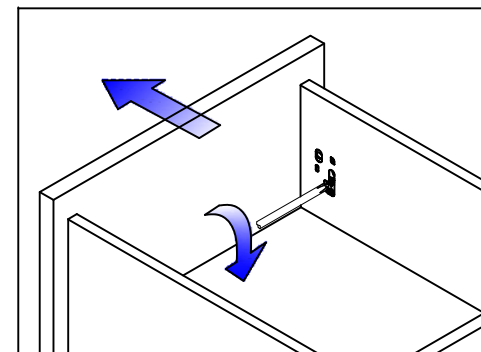
Remove the cover and pull out



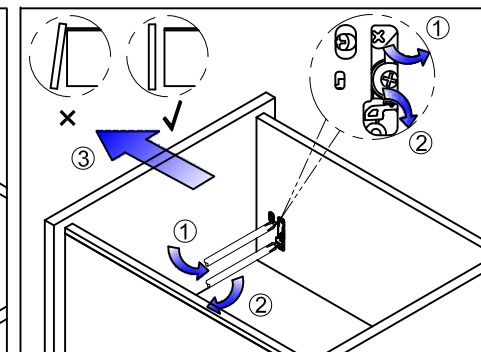
Front panel removal (89&121)



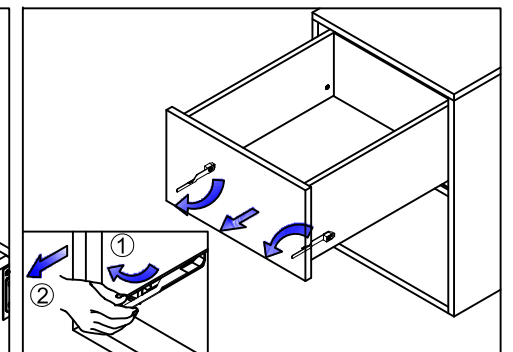
Drawer removal



Front panel removal (185)



Front panel removal (249)



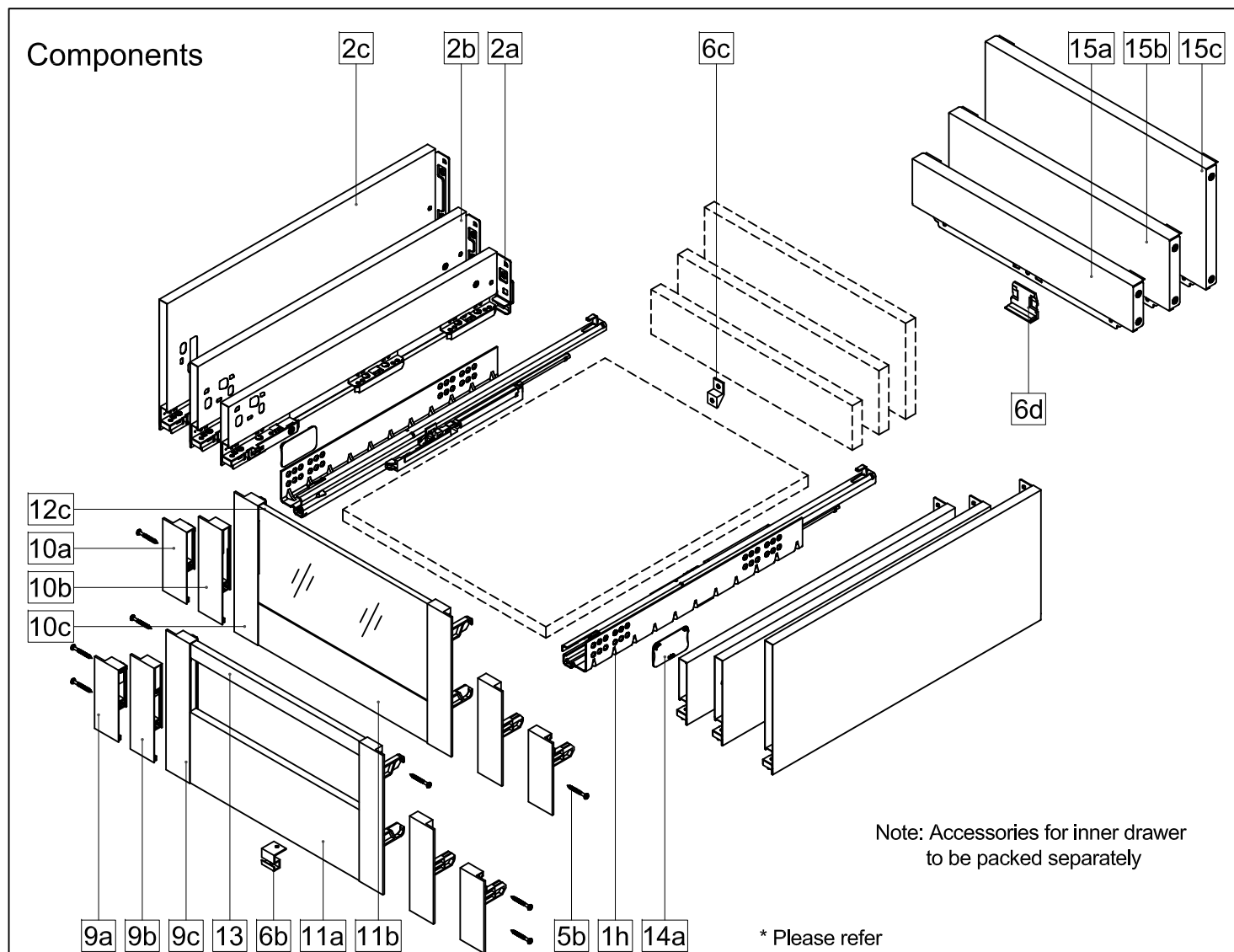
Drawer removal



StrongMax Uni 16/18 zásuvka

H 89/121/185

Inner drawer



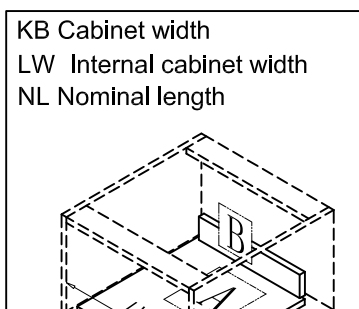
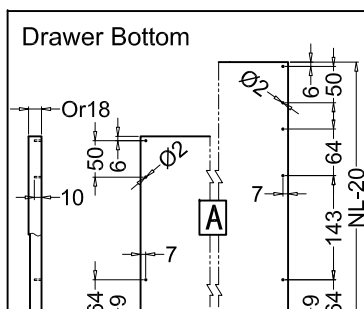
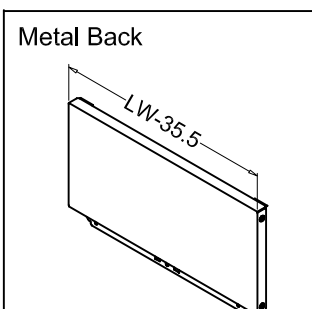
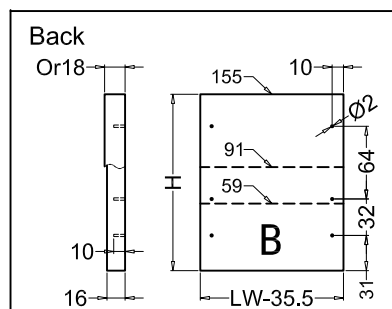
Note: Accessories for inner drawer to be packed separately

* Please refer to the Item No.

| | |
|---|--------------------------------------|
| 1h. Cabinet profiles L/R | 10. Type B Front Fixing brackets L/R |
| 2a. 89 Drawer Sides L/R | 11a. 808-1 Front Section |
| 2b. 121 Drawer Sides L/R | 11b. 808-2 Front Section |
| 2c. 185 Drawer Sides L/R | 12c. 808-185 Glass Front |
| 5b. Front section Screw (Ø4x30) | 13. Cross square rail |
| 6b. Bottom fixing (for wide drawer) | 14a. Side cover plate |
| 6c. Back fixing (for wide drawer) | 15a. Metal back height 89 |
| 6d. Metal back fixing (for wide drawer) | 15b. Metal back height 121 |
| 9. Type A Front Fixing brackets L/R | 15c. Metal back height 185 |

| Item No. | Nominal length | Internal drawer length | Min.installation length of drawer |
|--------------|----------------|------------------------|-----------------------------------|
| 808C***270N* | 270mm | 233mm | 275mm |
| 808C***300N* | 300mm | 263mm | 305mm |
| 808C***350N* | 350mm | 313mm | 355mm |
| 808C***400N* | 400mm | 363mm | 405mm |
| 808C***450N* | 450mm | 413mm | 455mm |
| 808C***500N* | 500mm | 463mm | 505mm |
| 808C***550N* | 550mm | 513mm | 555mm |

Drawer Back and Bottom Dimensions (mm)



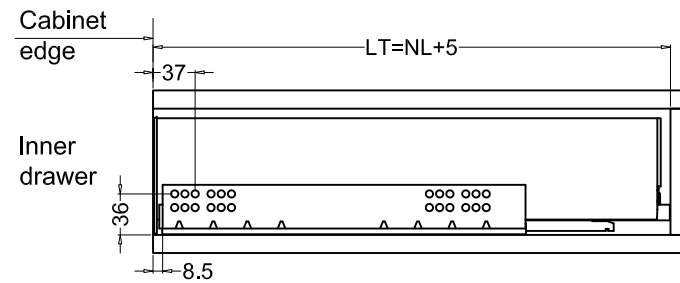
| Type | 89 | 121 | 185 |
|------|----|-----|-----|
| H | 59 | 91 | 155 |

KB≥800
Metal back fixed

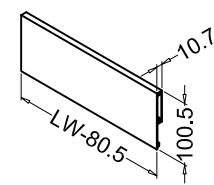
270~400 450~550

Installation dimensions (mm)

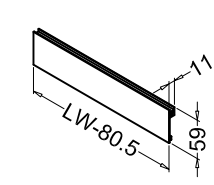
Nominal slide length=NL Internal cabinet depth=LT



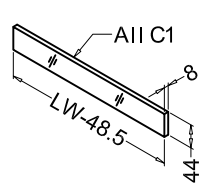
11a. 808-1 Front section



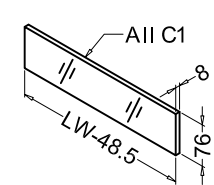
11b. 808-2 Front section



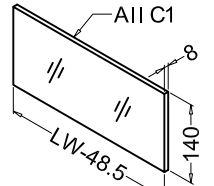
12a. 808-89 Glass Front



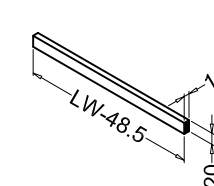
12b. 808-121 Glass Front



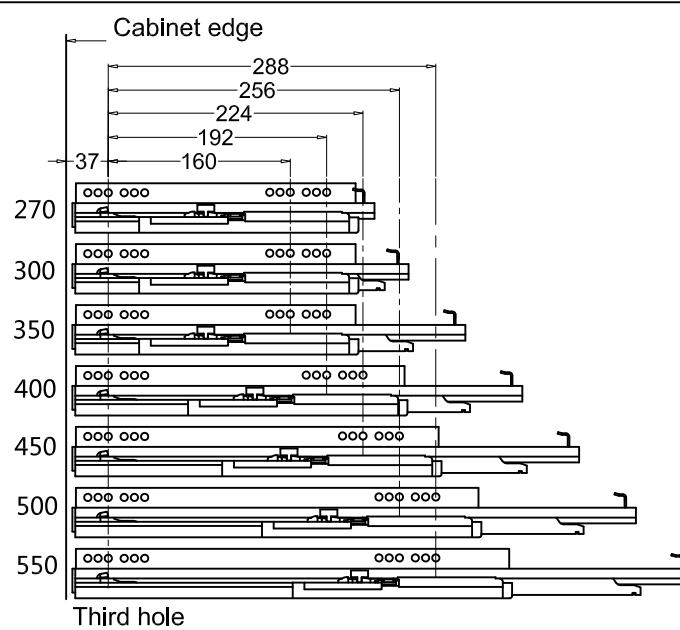
12c. 808-185 Glass Front



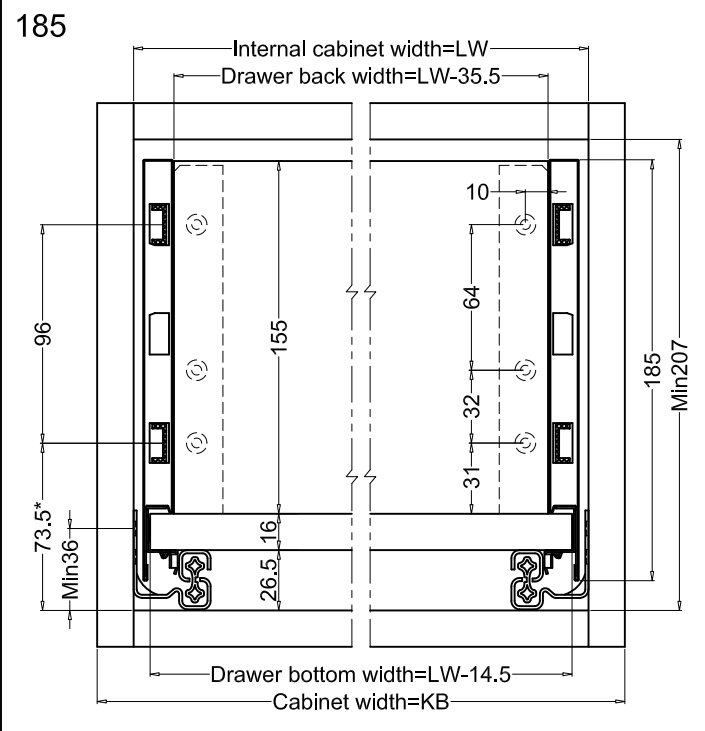
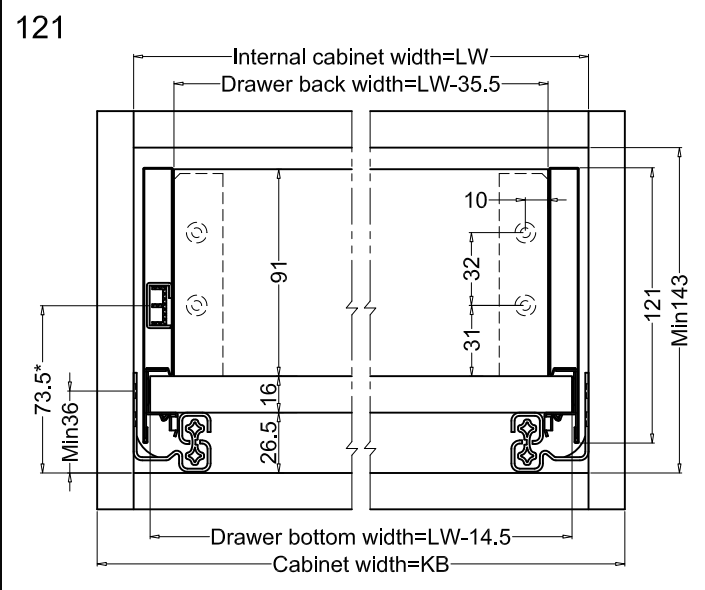
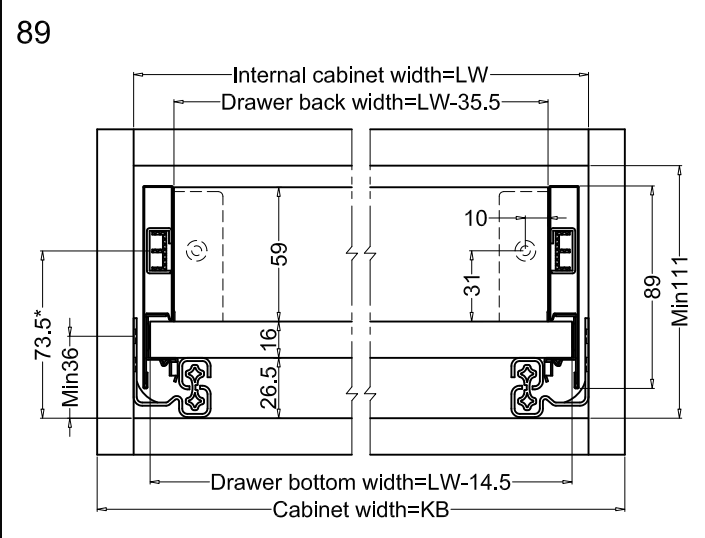
13. Cross square rail



Screw positions of the slides (mm)

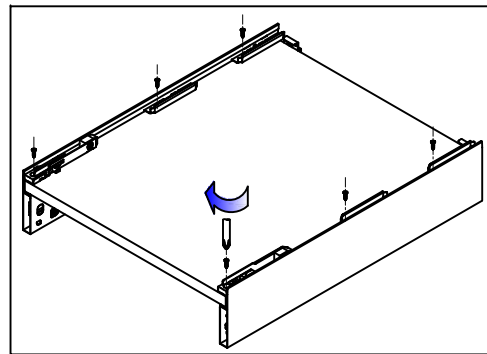


Drawer installation dimensions (mm)

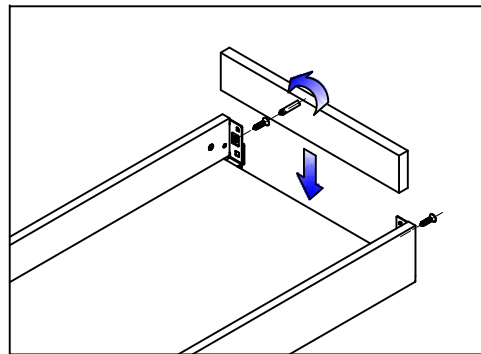


Note : When the bottom of the drawer is 18mm, the size with * needs to be increased by 2mm.

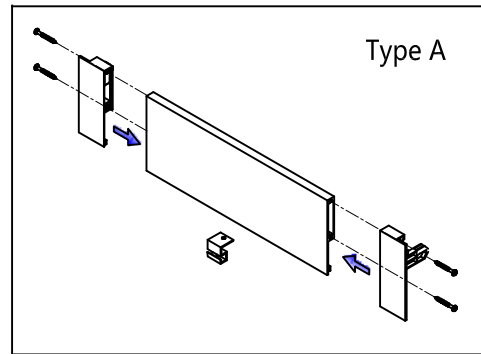
Assembly



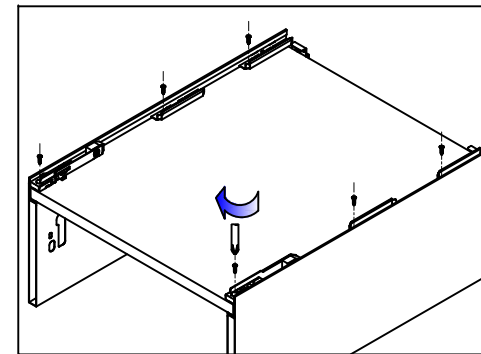
Bottom assembly



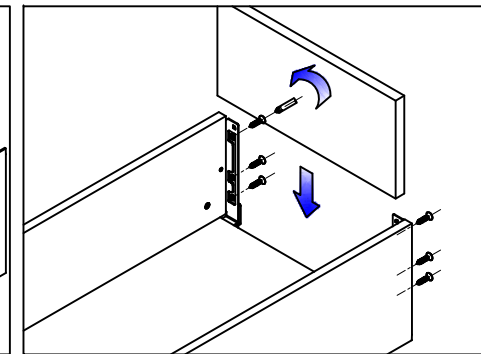
Back assembly



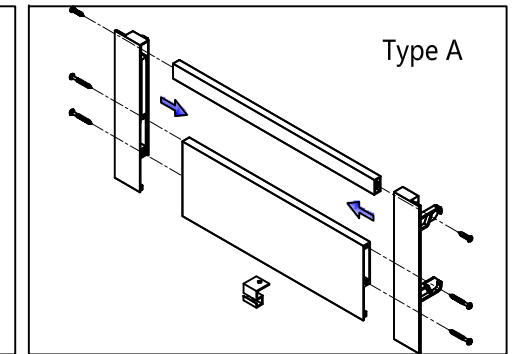
Inner drawer front assembly
Type A



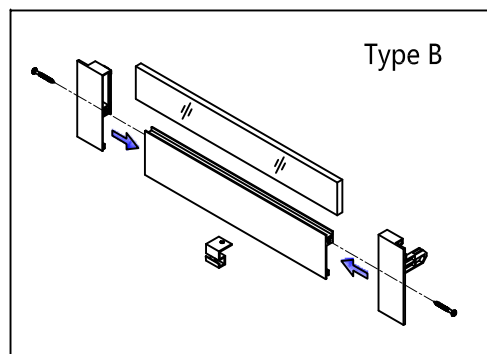
Bottom assembly



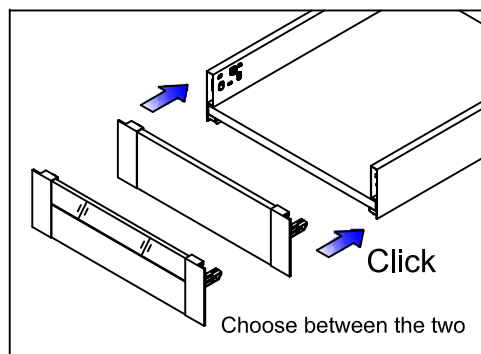
Back assembly



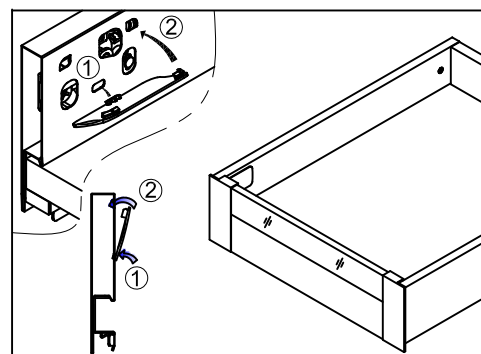
Inner drawer front assembly
Type A



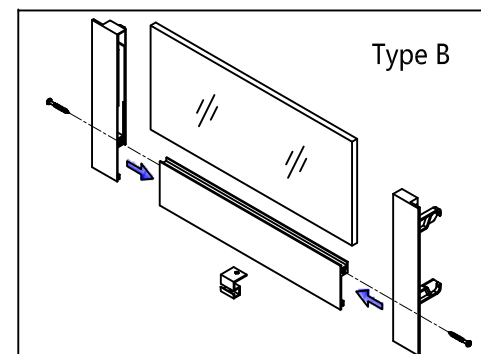
Inner drawer front assembly
Type B



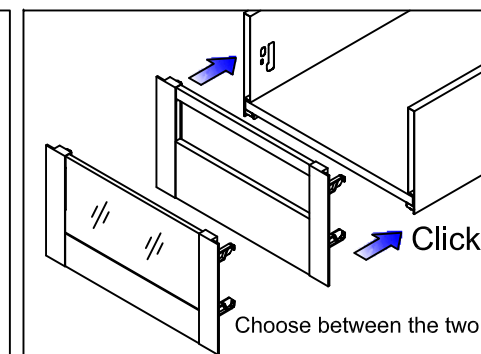
Front panel assembly



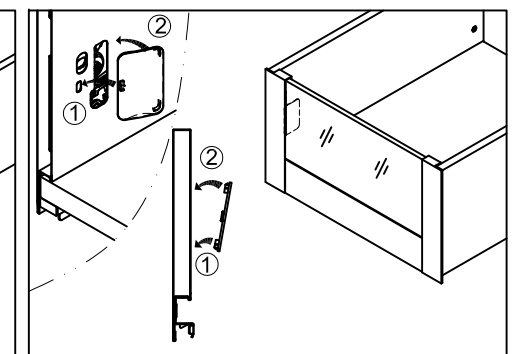
Side panel Cover assembly



Inner drawer front assembly
Type B

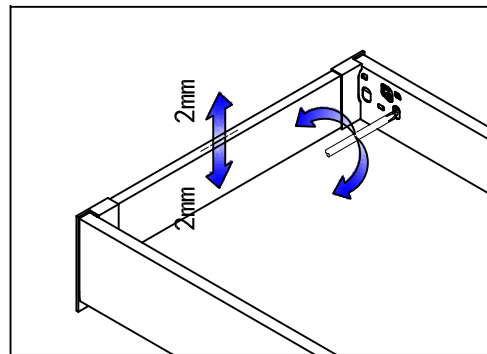


Front panel assembly

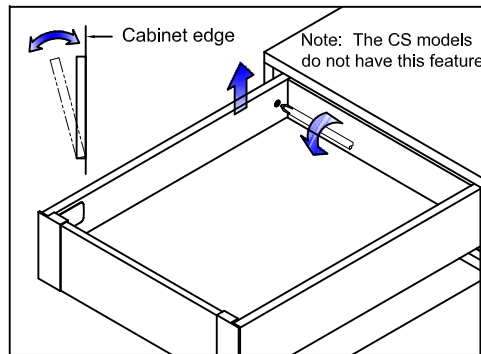


Side panel Cover assembly

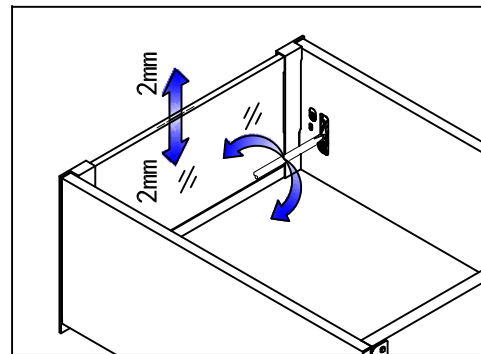
Adjustment



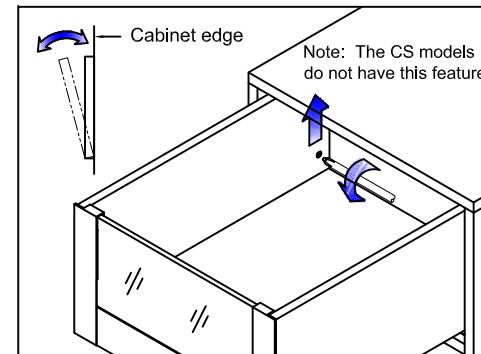
Up&down adjustment



Tilting adjustment

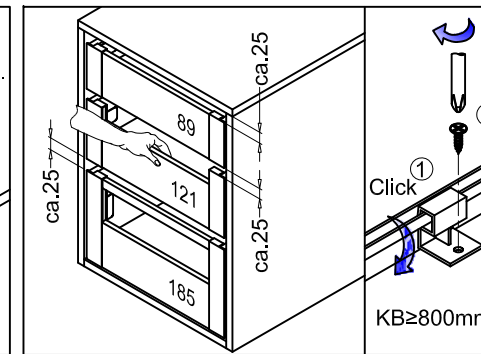


Up&down adjustment

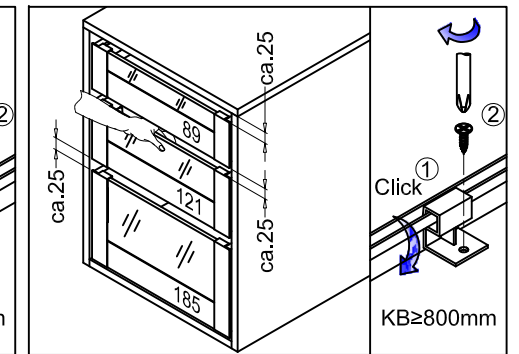


Tilting adjustment

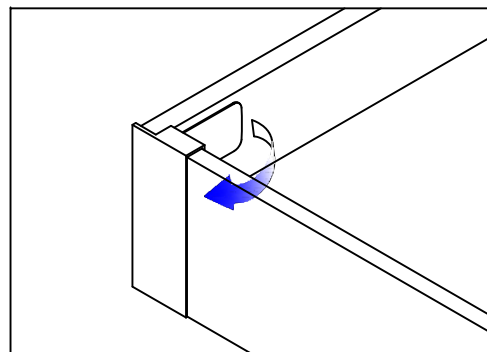
Assembly



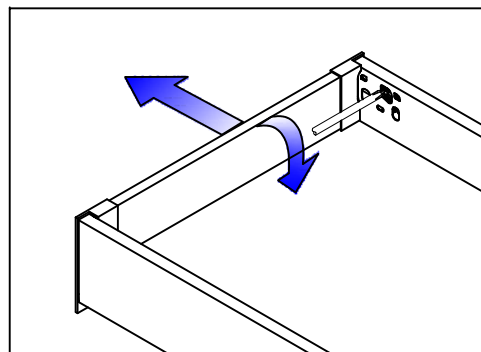
Suggested Space and Bottom Fixed assembly



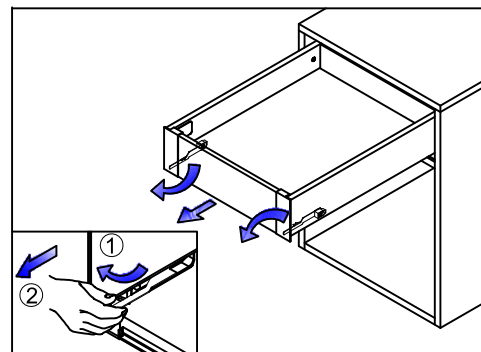
Removal



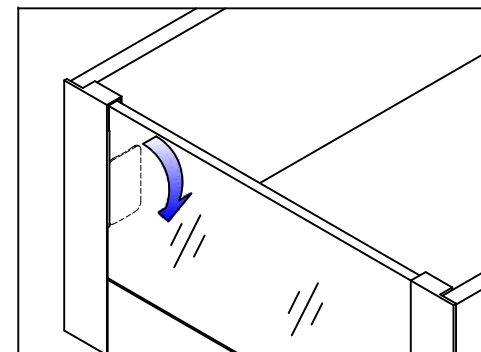
Remove the cover and pull out



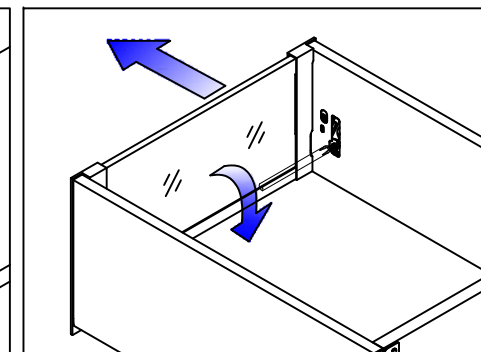
Front panel removal (89&121)



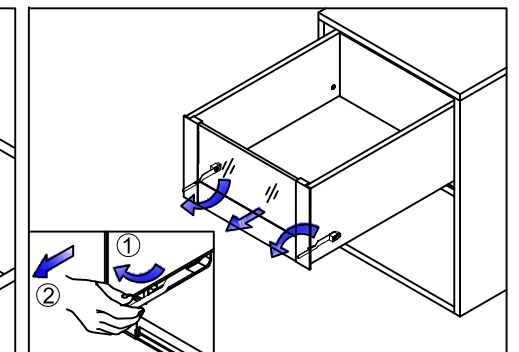
Drawer removal



Remove the cover and pull out



Front panel removal (185)



Drawer removal