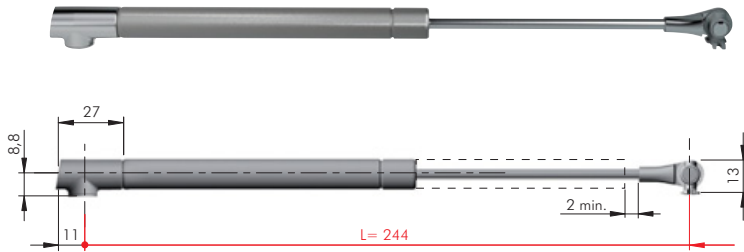


K12 SYSTEM L 244 Drop down

With standard unsprung hinges. Opening with handle.



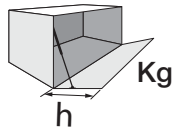
ZAnk EP ST

= 50 pcs.

Rev. 01

48060200UZ

0

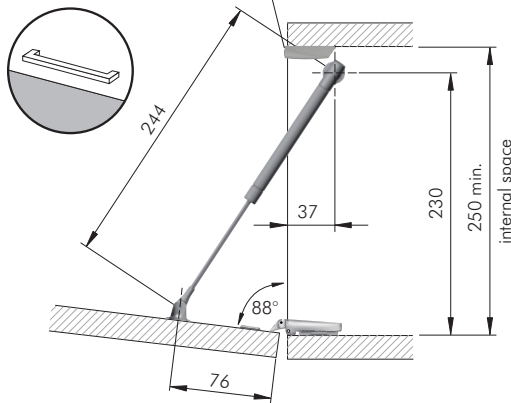


h	Door weight (Kg)																	
	1	2	3	4	5	6	7	8	9	10	11	12	13	14	15	16	17	18
300	1 x K12			2 x K12			3 x K12			4 x K12								
350	1 x K12		2 x K12		3 x K12				4 x K12									
400	1 x K12		2 x K12		3 x K12			4 x K12										
450	1 x K12		2 x K12		3 x K12			4 x K12										
500	1 x K12		2 x K12		3 x K12		4 x K12											

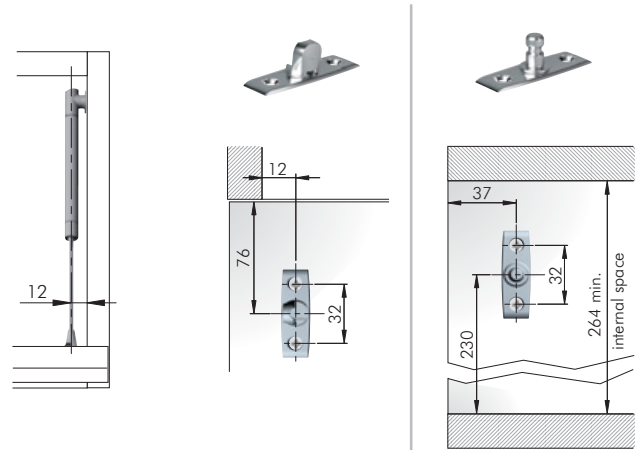
These are experimental results to be checked by the customer. **In accordance with the actual European regulation, we suggest to use at least two stays for each door.** Our technical department is at your disposal to test further cases out of this chart.

BRACKETS Ø15:

Magnet K Lock visible or invisible



SCREW FIXING BRACKETS:



The dimensions of the drilling plan refer to carcasses which use **standard sprung hinges** and mounting plates 0 mm. Please note that the opening angle shown data is purely indicative. It varies with respect to the hinge brand and adjustment carried out.

