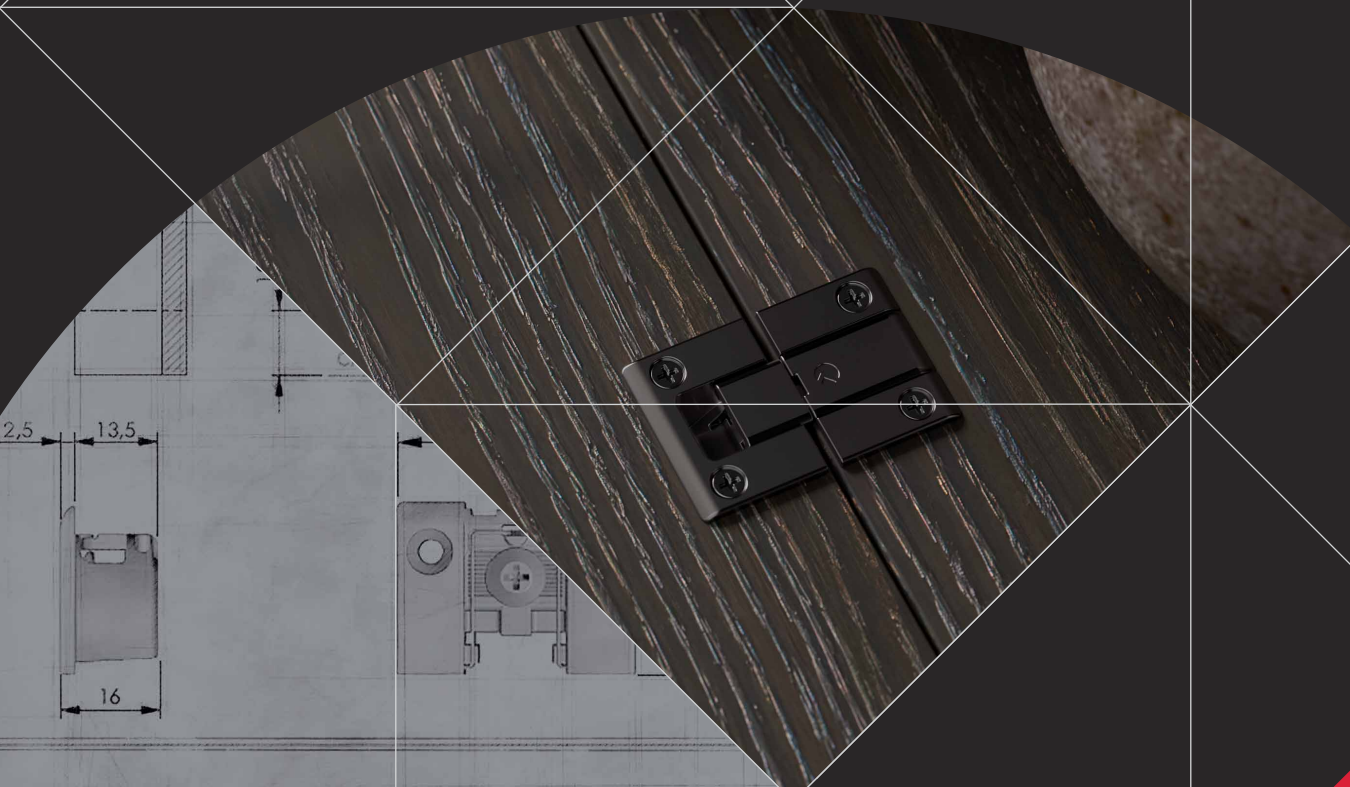


KIMANA



HINGES



Table of contents

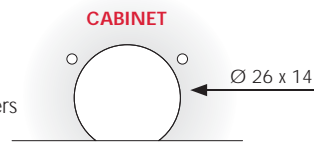


KIMANA

KIMANA standard allows managing different overlay dimensions and accommodating panel thickness of 16 mm thanks to its appropriate adapters.

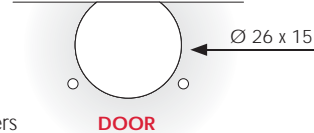
Min. thk 18* mm

*16 min. with adapters



Min. thk 18* mm

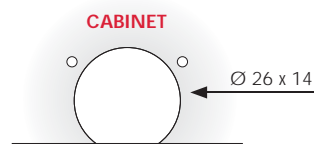
*16 min. with adapters



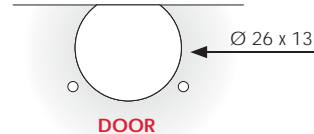
KIMANA SLIM

KIMANA SLIM is mainly suitable for cabinet doors thickness of 16 mm or to install standard cabinet door aluminum profiles.

Min. thk 18* mm



Min. thk 16 mm

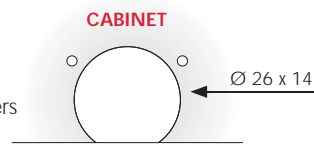


KIMANA PLUS

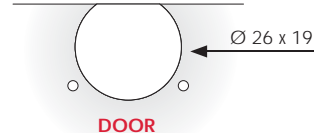
KIMANA PLUS is mainly suitable for cabinet doors thickness of 25 mm. Using the appropriate adapters is possible to manage different overlay dimensions.

Min. thk 18* mm

*16 min. with adapters



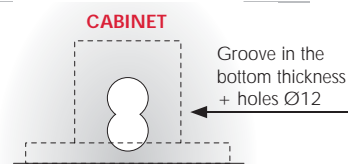
Min. thk 25 mm



KIMANA FLAT

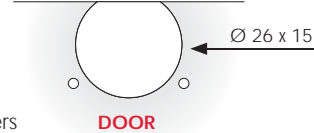
KIMANA FLAT special feature is the hinge part concealed in the bottom pane.

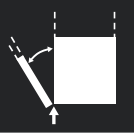
Min. thk 22 mm



Min. thk 18* mm

*16 min. with adapters





KIMANA

KIMANA is a flat hinge to open and close flap and drop-down doors. Provided with a unique and exclusive movement, it allows to open cabinet doors in column, even when the cabinet bottom lies upon another panel or the cabinet top is surmounted by a decorative/lighting panel.

The small dimensions (Ø 26mm boring for both the door and the bottom), the minimalistic and elegant design contribute to make KIMANA not only a functional hinge, but also a product unique in its genre.

The fixing screws are perpendicular, thus making KIMANA suitable for perfect positioning, as well as for aluminium profiles. KIMANA can be easily adjusted through the screws (PZ2) which are hidden underneath the cover.

Various door and cabinet thickness-combinations can be solutioned either by carrying out the adjustments of the KIMANA or by adding adapters under the hinge clip so that the ideal movement and alignment of the door are guaranteed.

Available in three finishes: standard nickel-plated, black-nickel plated and varnished in graphite colour.

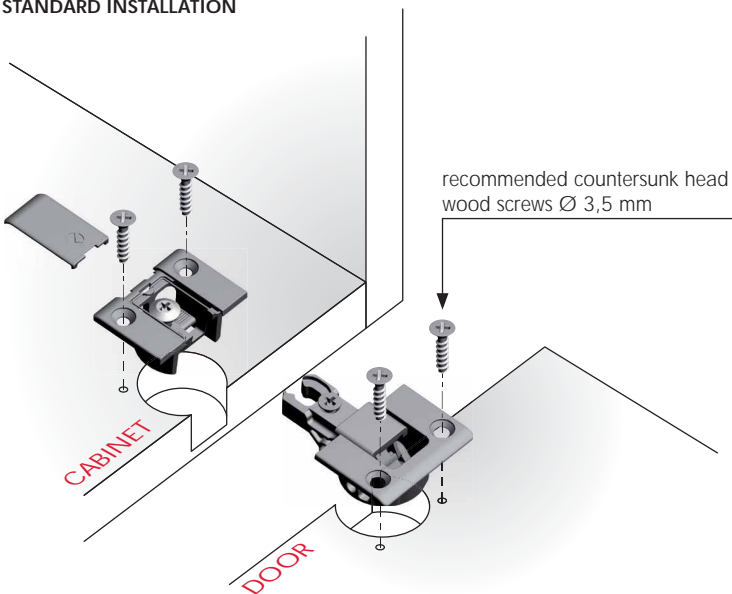
For each finish, matching fixing countersunk screws can be provided.



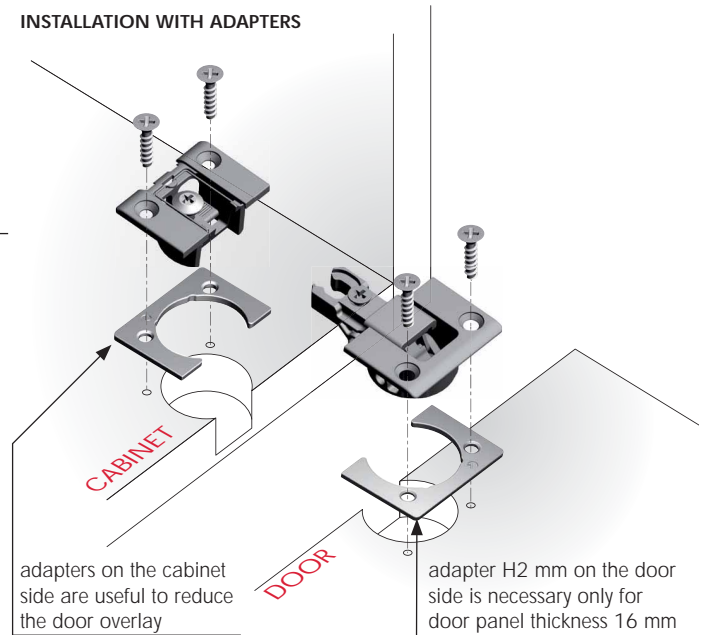
GOOD DESIGN AWARD, 2012

PAT. PENDING
REGISTERED DESIGN
Certificates available on request.

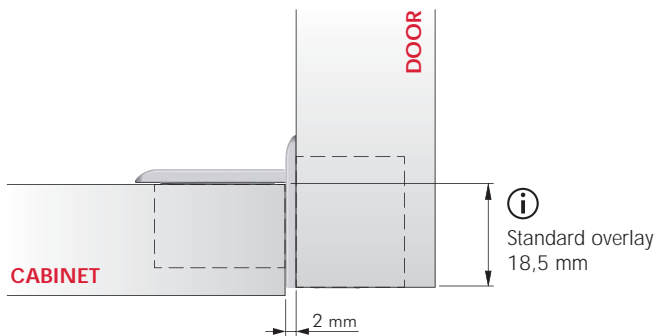
STANDARD INSTALLATION



INSTALLATION WITH ADAPTERS

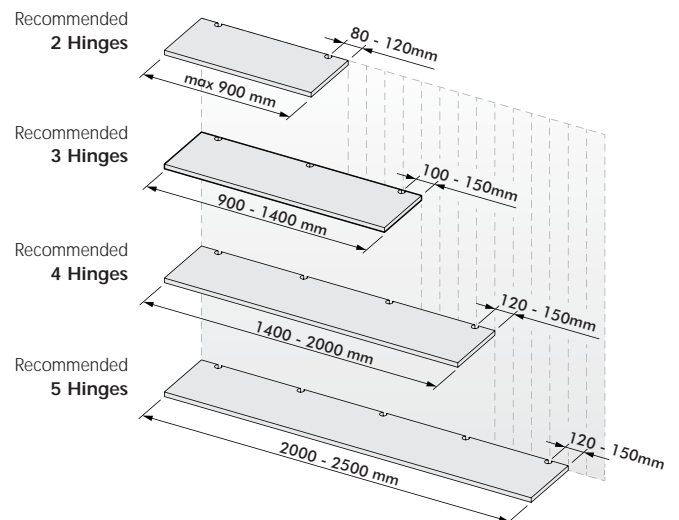


OVERLAY WITH STANDARD INSTALLATION



i The overlay value can be reduced by adding bespoke adapters on the cabinet side.

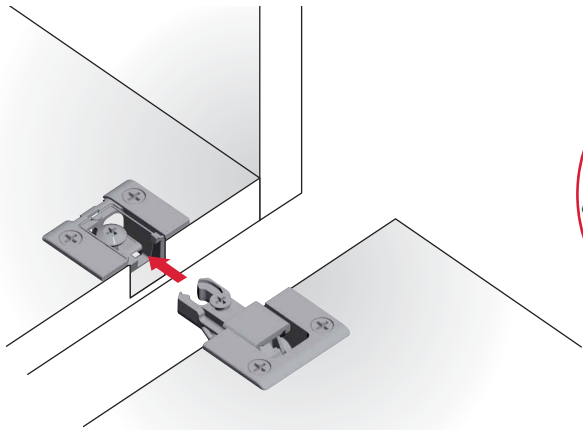
RECOMMENDED NUMBER OF HINGES PER DOOR



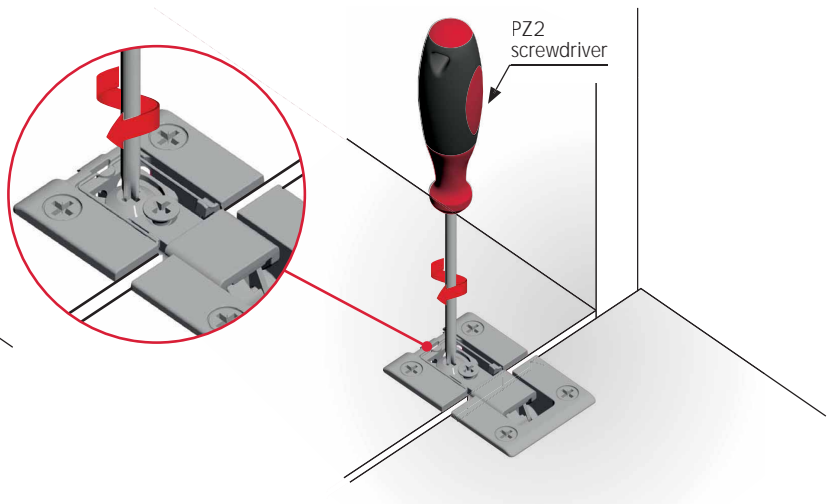
Due to various factors, the quantities stated in the chart are indicative.



DOOR INSTALLATION



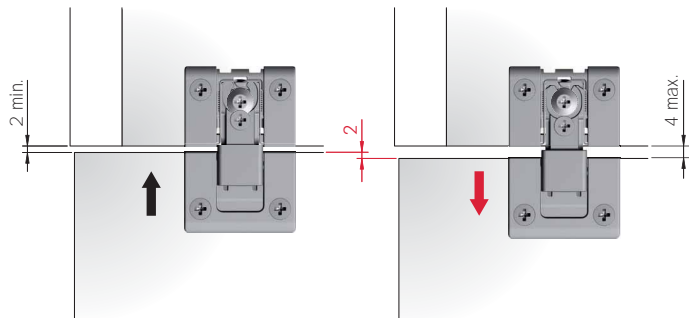
LOCKING SCREW



ADJUSTMENTS AND ASSEMBLING

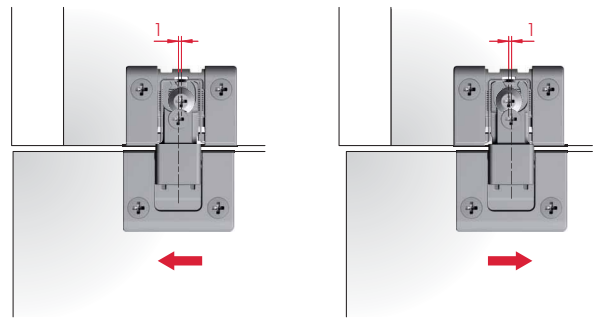
IN-DEPTH ADJUSTMENT +2 mm

⚠ TO BE MADE BEFORE LOCKING SCREW OPERATION ⚠



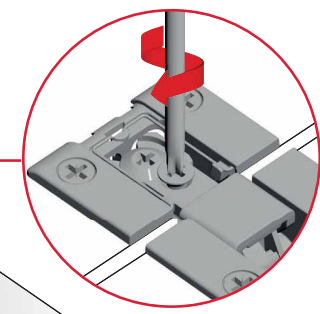
LATERAL ADJUSTMENT ±1 mm

⚠ TO BE MADE BEFORE LOCKING SCREW OPERATION ⚠



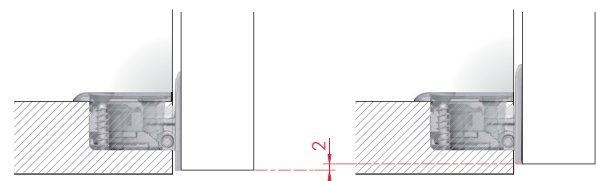
OVERLAY ADJUSTMENT

PZ2
screwdriver

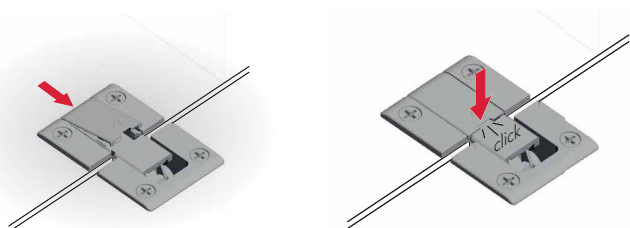


⚠ TO BE MADE BEFORE LOCKING SCREW OPERATION ⚠

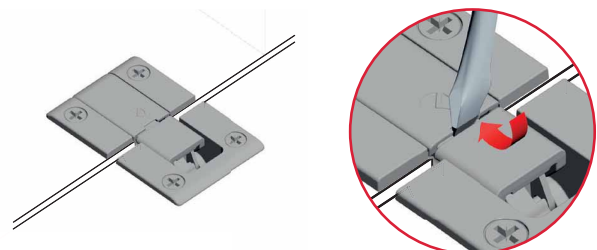
+2 mm max vertical
adjustment

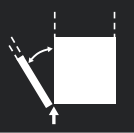


COVER ASSEMBLING

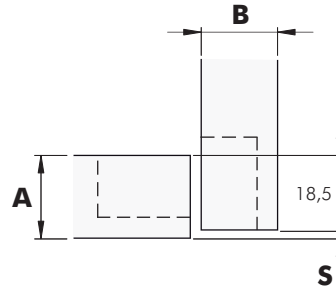
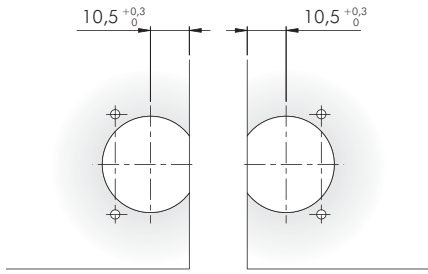


COVER REMOVAL



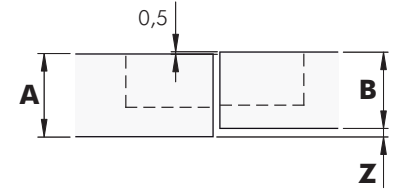


STANDARD CONDITION



$$S = A - 18,5 \text{ mm}$$

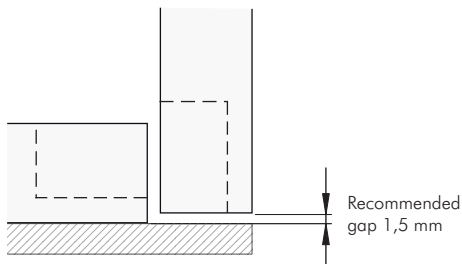
If **S** value is negative, the line of the door goes beyond that of the bottom panel. Use the adapter to increase **S** dimension.



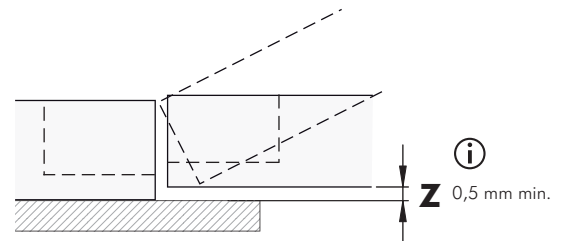
$$Z = (A + 0,5 \text{ mm}) - B$$

If **Z** value is negative, the line of the door goes beyond that of the bottom panel.

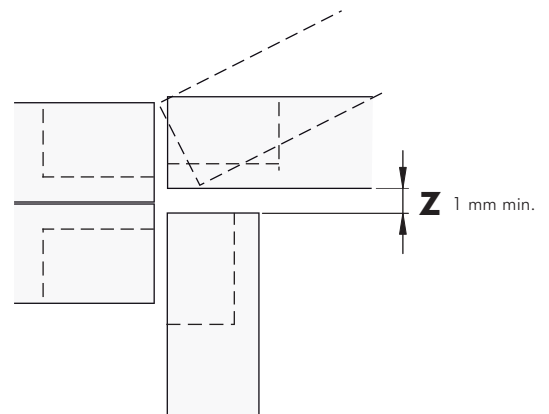
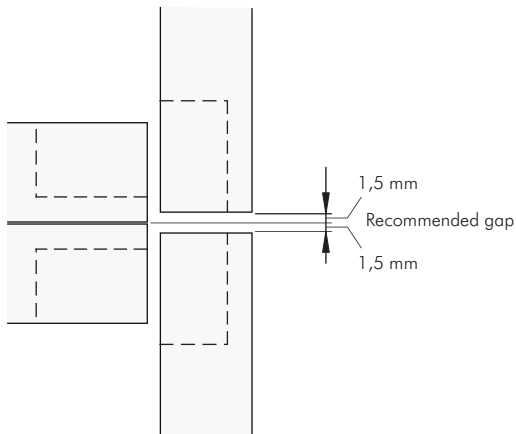
CLOSING CONDITION



OPENING CONDITION

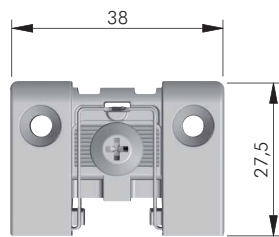
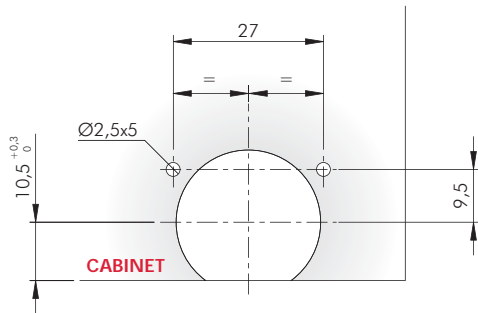
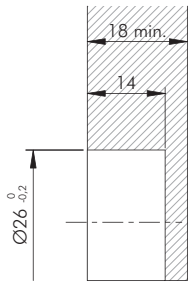


(i) When the **Z** value in opening condition is 0,5 mm or higher, the door doesn't interfere with platform panel.



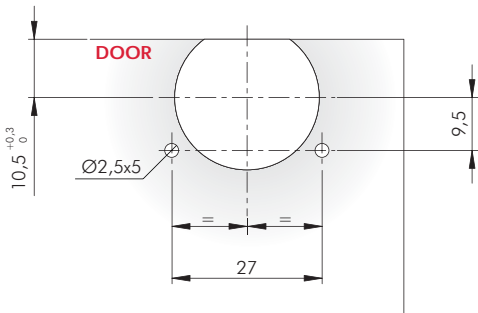
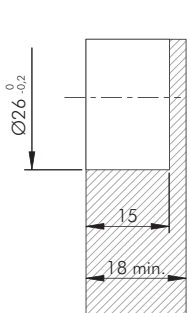
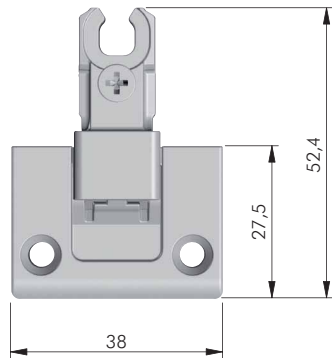


NOTE: For panel thickness lower than 18 mm we suggest to use adapters. For application examples see page 11.9.



= 150 pcs.

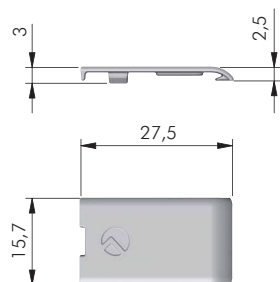
40120000YA
40120000HX
40120000YQ



= 150 pcs.

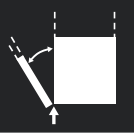
40120010YA
40120010HX
40120010YQ

NOTE: For panel thickness lower than 18 mm we suggest to use adapters. For application examples see page 11.9.

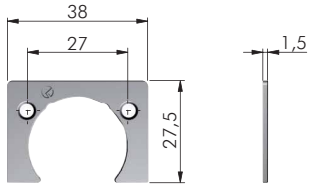


= 150 pcs.

40120040YA
40120040HX
40120040YQ



KIMANA ADAPTERS

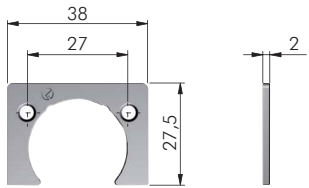


ZA

= 50 pcs.



40115320YA | YQ

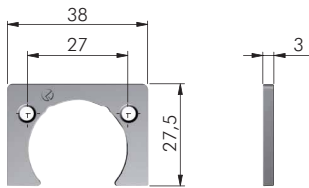


ZA

= 50 pcs.



40115340YA | HX | YQ

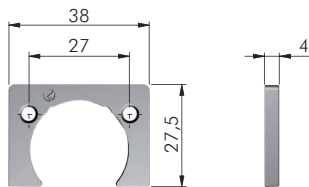


ZA

= 50 pcs.



40115360YA

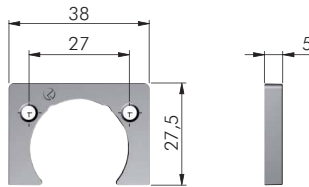


ZA

= 50 pcs.



40115400YA | HX | YQ

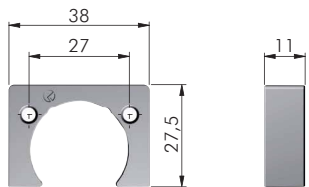


ZA

= 50 pcs.



40115440YA



ZA

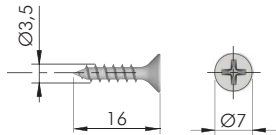
= 50 pcs.



40115500YA



FIXING ACCESSORY FOR BOTH KIMANA AND ADAPTERS PART NO. 40115320



= Ø 2,5 mm +

= PZ2

ST = 100 pcs.

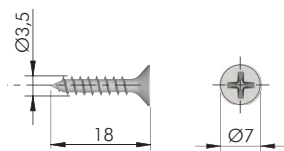


60101390YA

60101390HX

60101390Z9

FIXING ACCESSORY FOR KIMANA ADAPTERS PART NO. 40115340 - 40115360



= Ø 2,5 mm +

= PZ2

ST = 1.000 pcs.

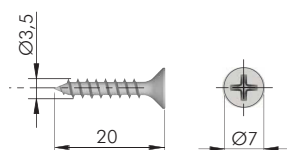


60101400YA

60101400HX

60101400Z9

FIXING ACCESSORY FOR KIMANA ADAPTER PART NO. 40115400 - 40115440



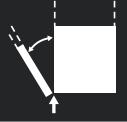
= Ø 2,5 mm +

= PZ2

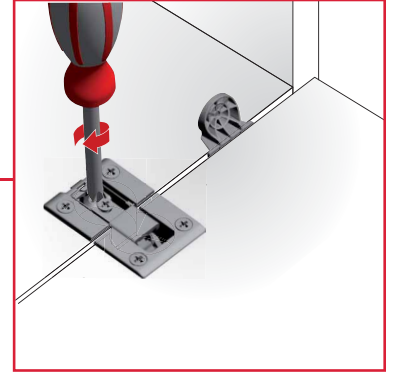
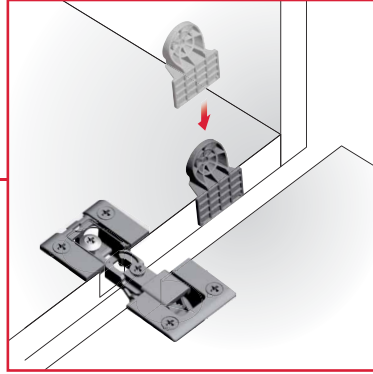
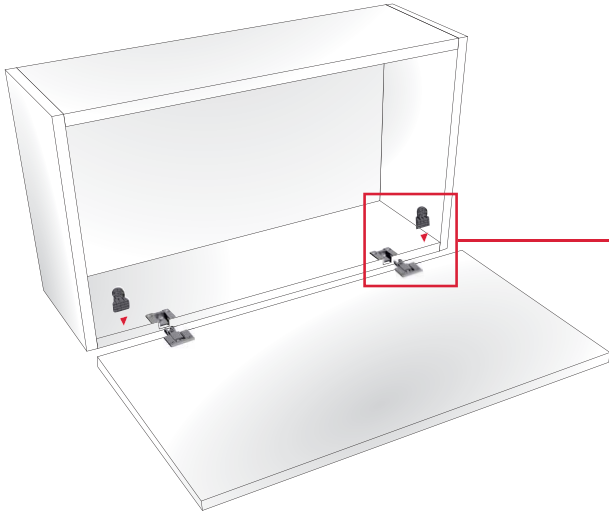
ST = 1.000 pcs.



60101410YA



DOOR ALIGNMENT SPACER FOR KIMANA HINGES

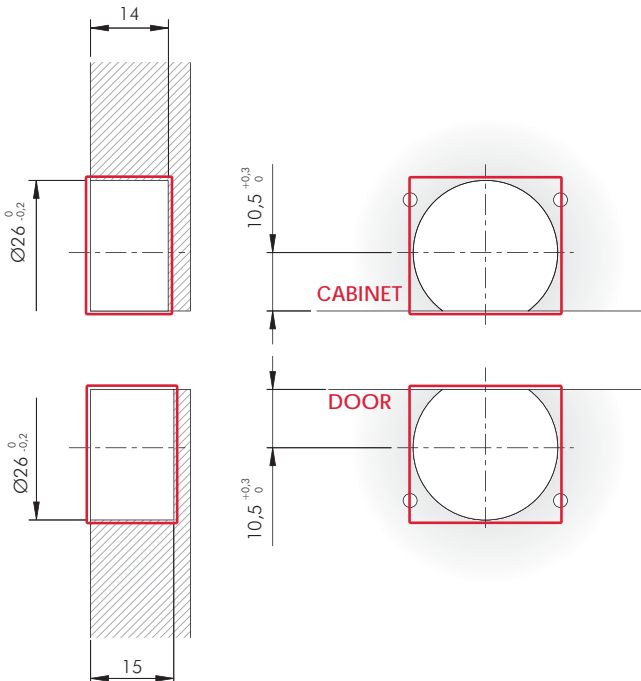


EP	= on request
40115635IA	

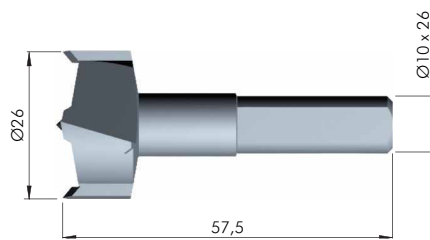
2 pcs featured in each polybag.

* For non-standard drilling plans 1,5, 2,5, 3 and 4 mm spacers are also available.

DRILL BIT FOR KIMANA

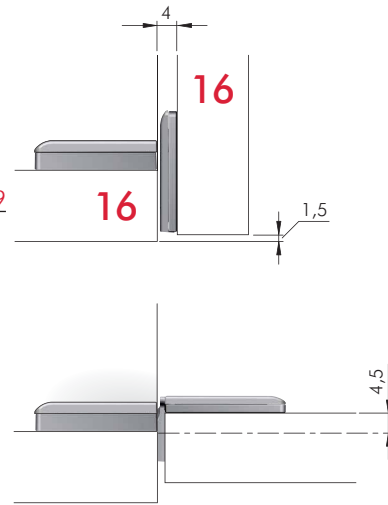
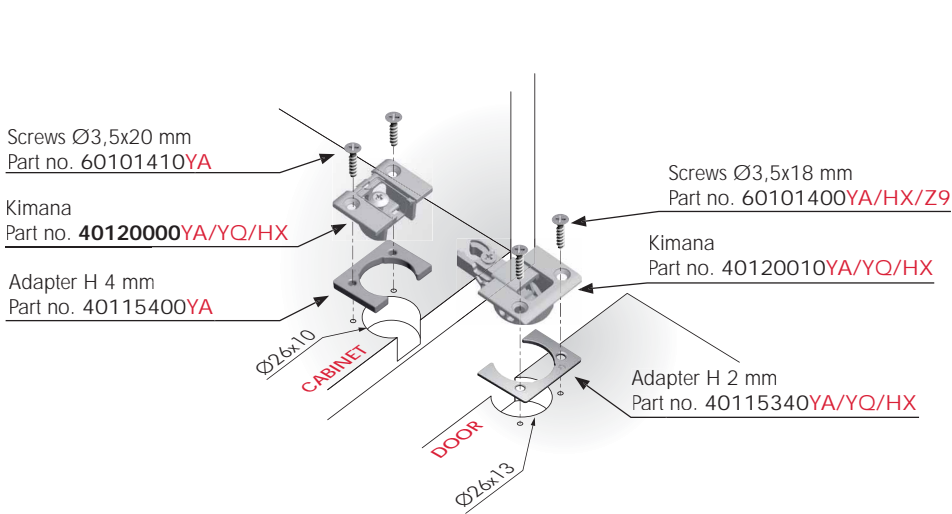


HSS	= on request
6270101000	

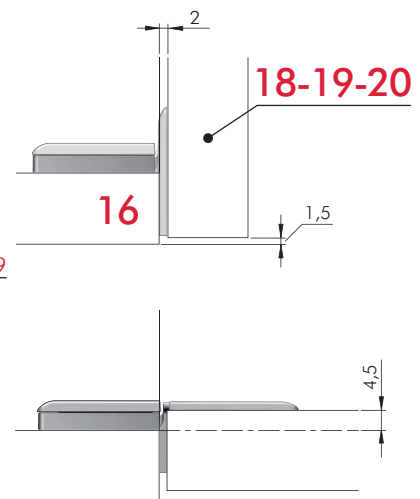
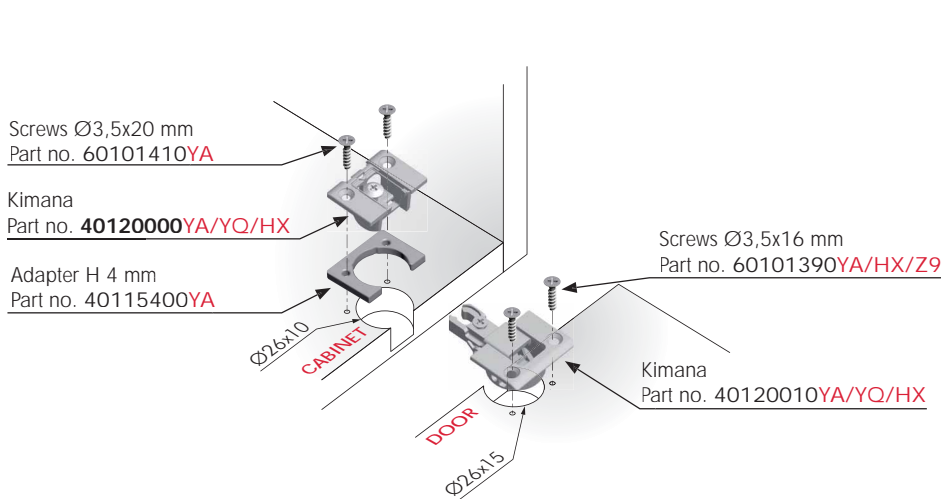




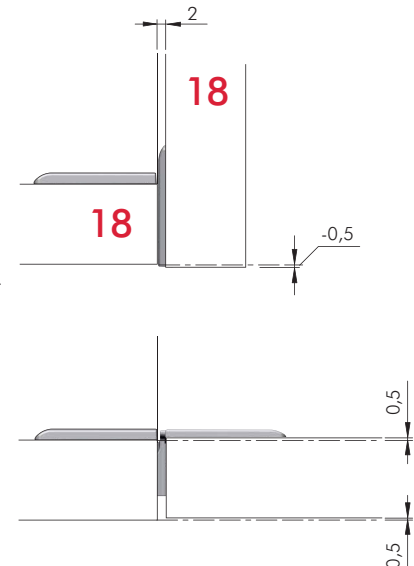
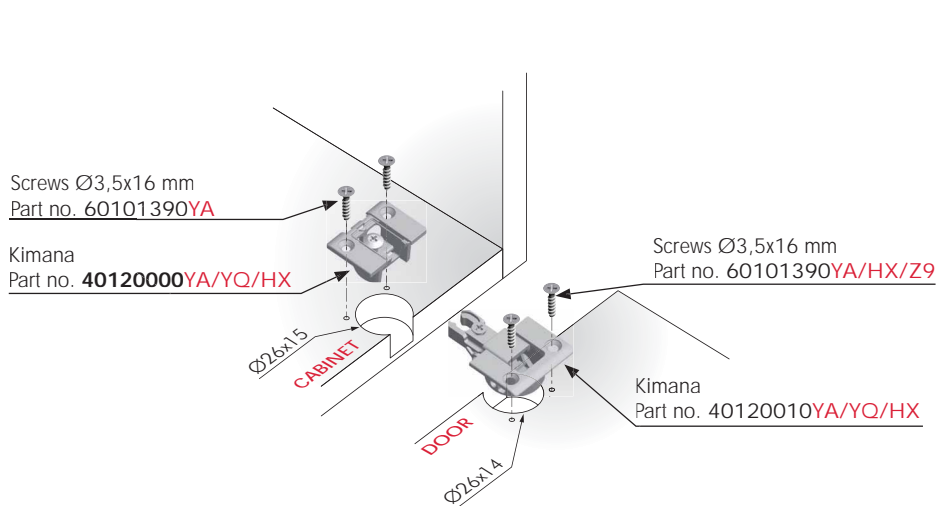
CABINET 16 mm THICK - DOOR 16 mm THICK

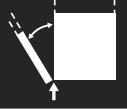


CABINET 16 mm THICK - DOOR 18-19-20 mm THICK



CABINET 18 mm THICK - DOOR 18 mm THICK



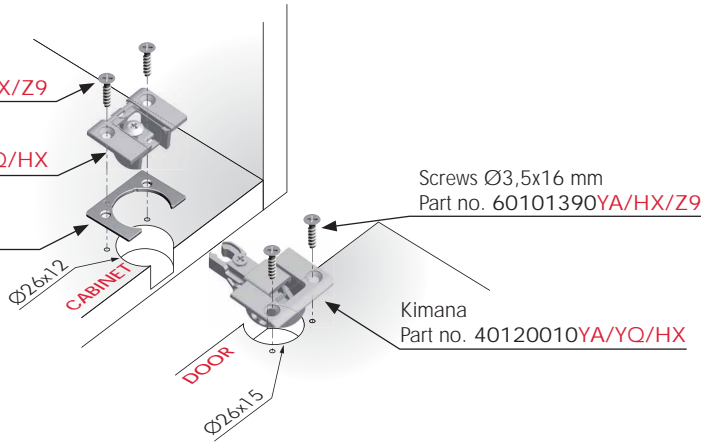


CABINET 18 mm THICK - DOOR 18-19-20 mm THICK

Screws $\varnothing 3,5 \times 18$ mm
Part no. 60101400YA/HX/Z9

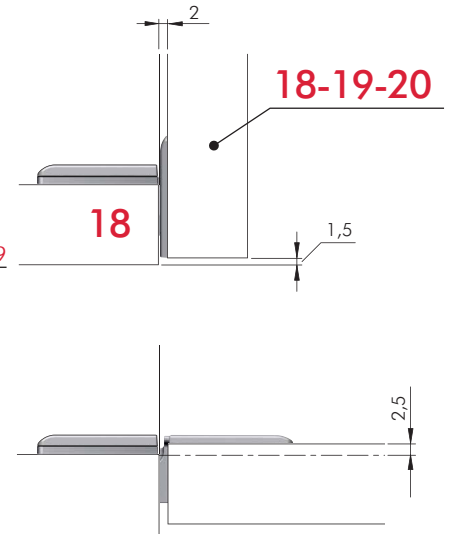
Kimana
Part no. 40120000YA/YQ/HX

Adapter H 2 mm
Part no. 40115340YA



Screws $\varnothing 3,5 \times 16$ mm
Part no. 60101390YA/HX/Z9

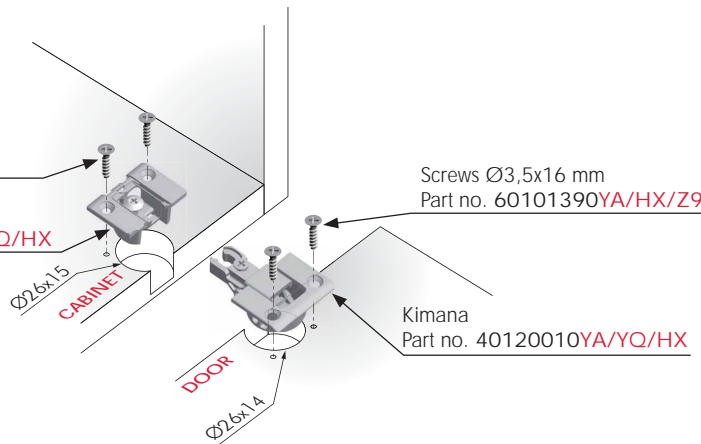
Kimana
Part no. 40120010YA/YQ/HX



CABINET 19 mm THICK - DOOR 18-19 mm THICK

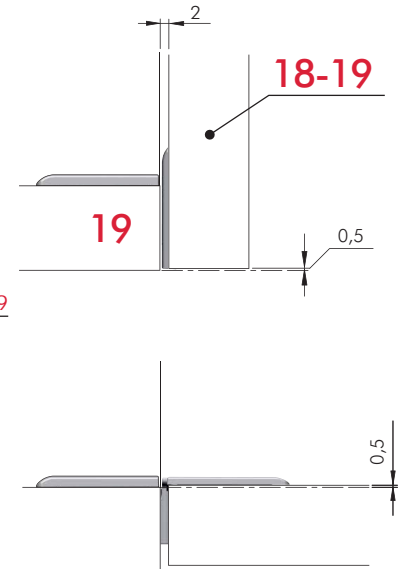
Screws $\varnothing 3,5 \times 16$ mm
Part no. 60101390YA

Kimana
Part no. 40120000YA/YQ/HX



Screws $\varnothing 3,5 \times 16$ mm
Part no. 60101390YA/HX/Z9

Kimana
Part no. 40120010YA/YQ/HX

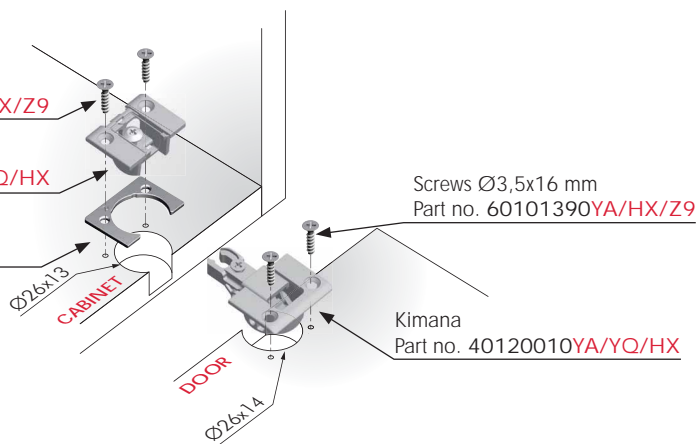


CABINET 19 mm THICK - DOOR 18-19-20 mm THICK

Screws $\varnothing 3,5 \times 18$ mm
Part no. 60101400YA/HX/Z9

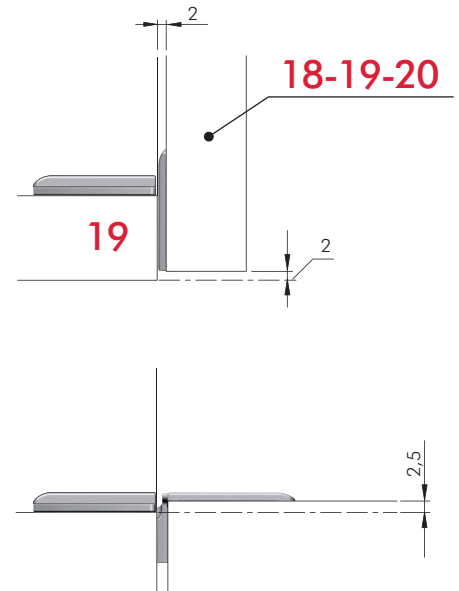
Kimana
Part no. 40120000YA/YQ/HX

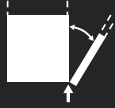
Adapter H 2 mm
Part no. 40115340YA



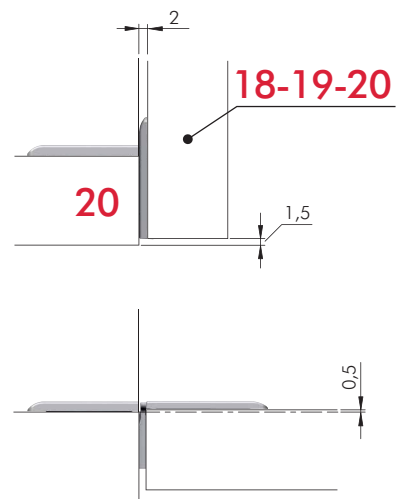
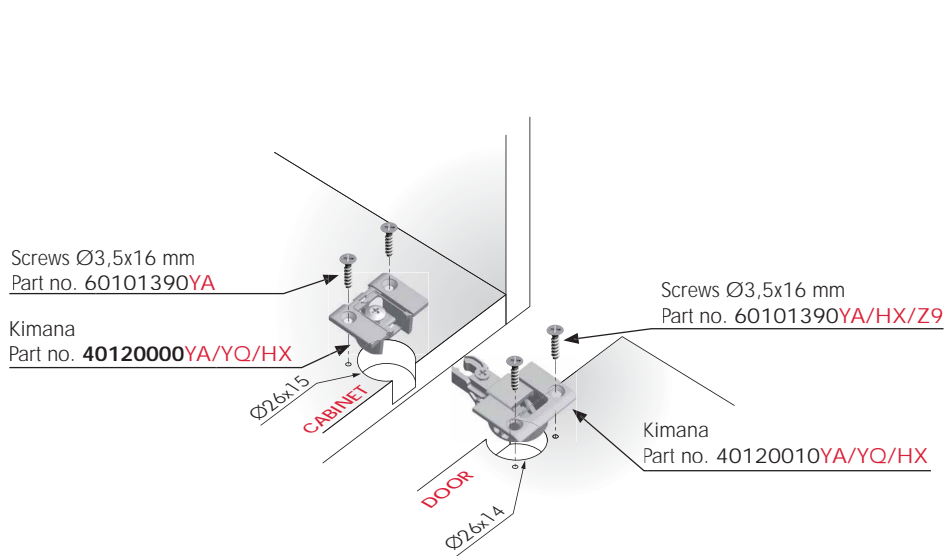
Screws $\varnothing 3,5 \times 16$ mm
Part no. 60101390YA/HX/Z9

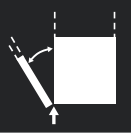
Kimana
Part no. 40120010YA/YQ/HX





CABINET 20 mm THICK - DOOR 18-19-20 mm THICK

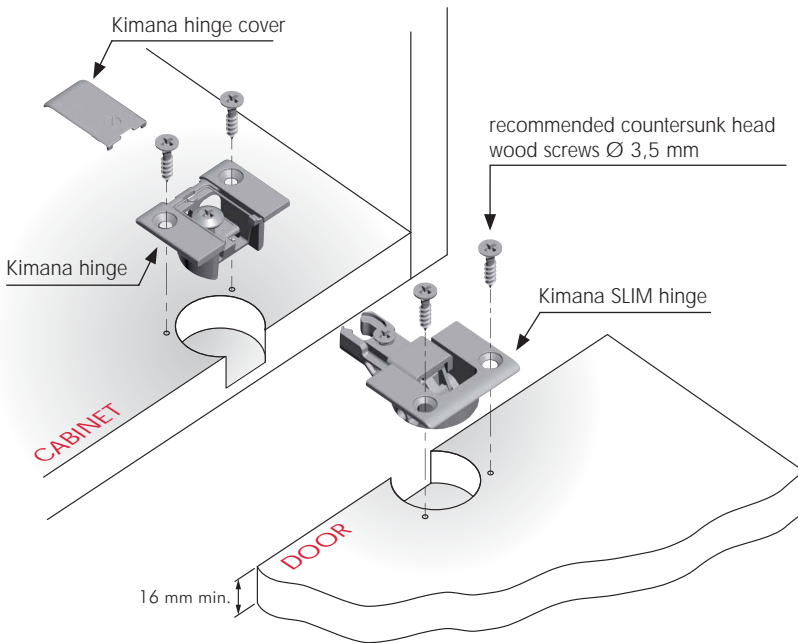




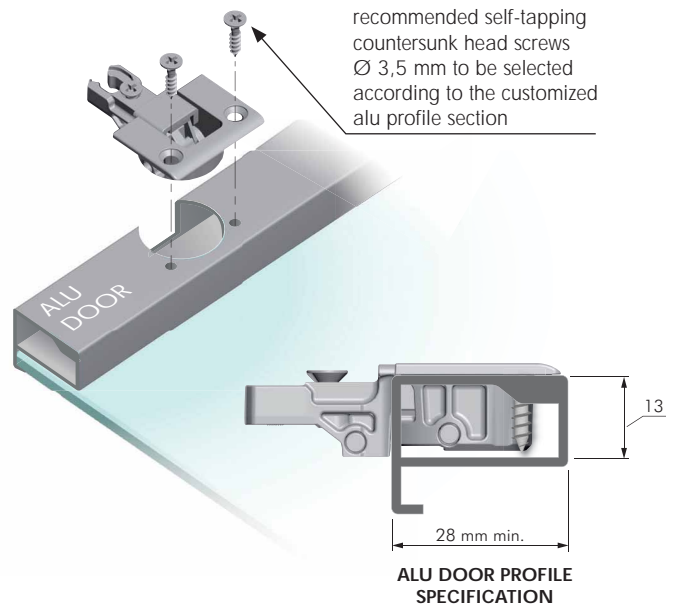
KIMANA SLIM (Suitable mainly for door thickness 16 mm)



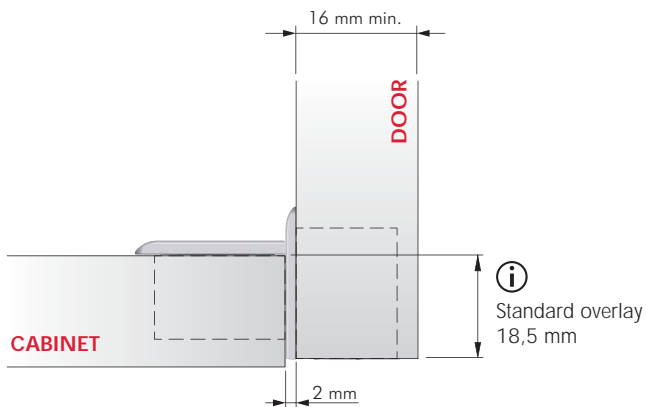
KIMANA SLIM STANDARD INSTALLATION



INSTALLATION WITH ALUMINIUM DOOR

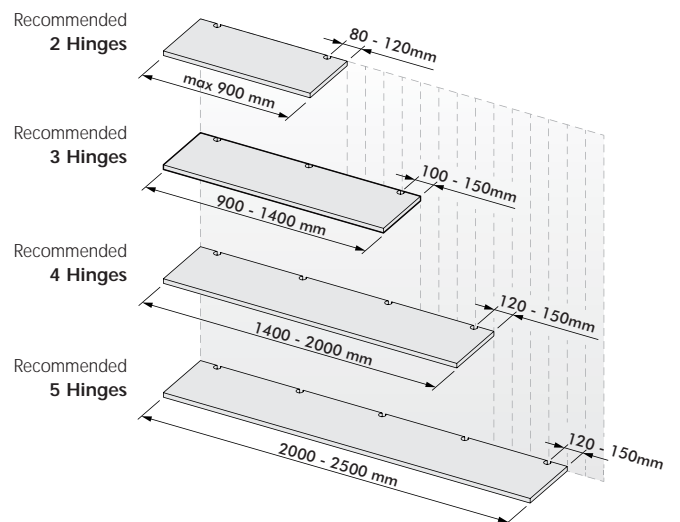


OVERLAY WITH STANDARD INSTALLATION



i The overlay value can be reduced by adding bespoke adapters on the cabinet side.

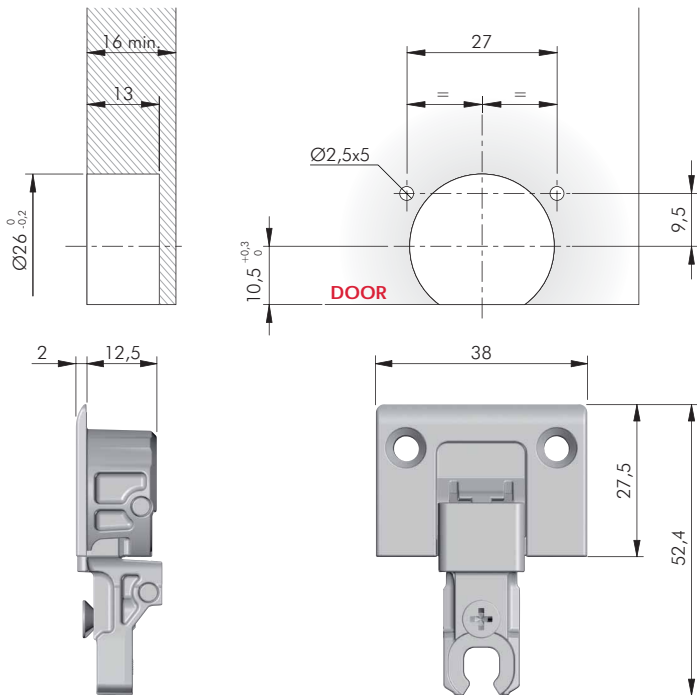
RECOMMENDED NUMBER OF HINGES PER DOOR



Due to various factors, the quantities stated in the chart are indicative.

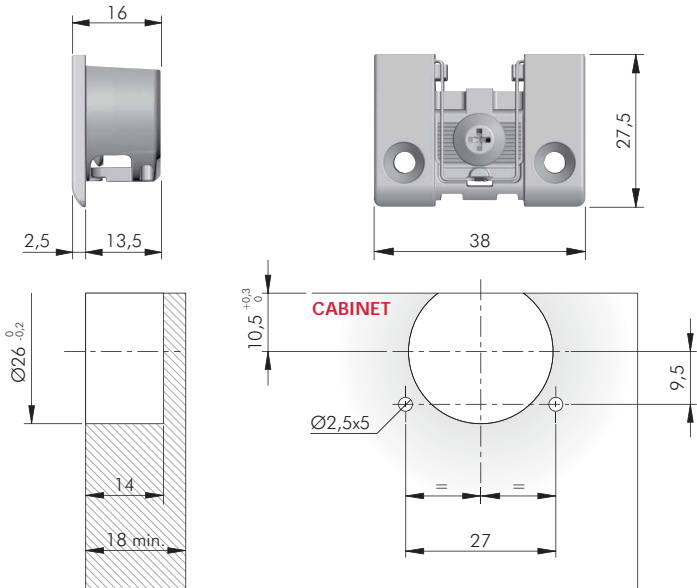


KIMANA SLIM - Door



	ZA	ST	= 150 pcs.
40120020YA			
40120020YQ			

KIMANA - Bottom panel



	ZA	ST	= 150 pcs.
40120000YA			
40120000YQ			

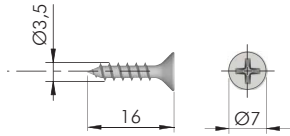
KIMANA COVER



ZA			= 150 pcs.
40120040YA			
40120040YQ			

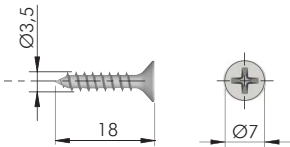


FIXING ACCESSORY FOR KIMANA SLIM



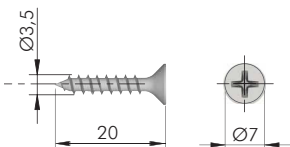
= Ø 2,5 mm	+
= PZ2	
ST	= 100 pcs.
60101390YA	
60101390Z9	

FIXING ACCESSORY FOR BOTH KIMANA AND ADAPTER PART NO. 40115340



= Ø 2,5 mm	+
= PZ2	
ST	= 1.000 pcs.
60101400YA	
60101400Z9	

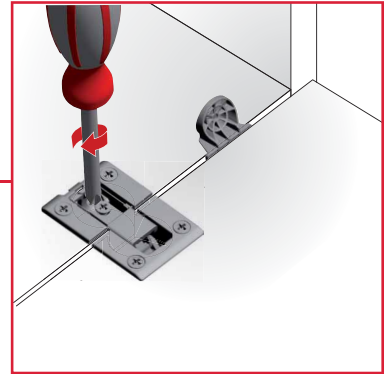
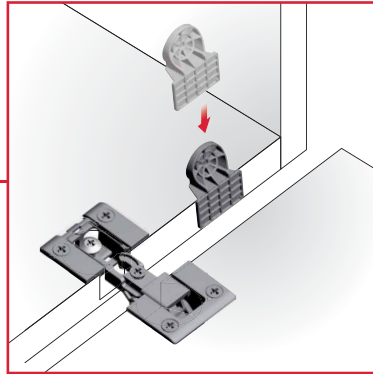
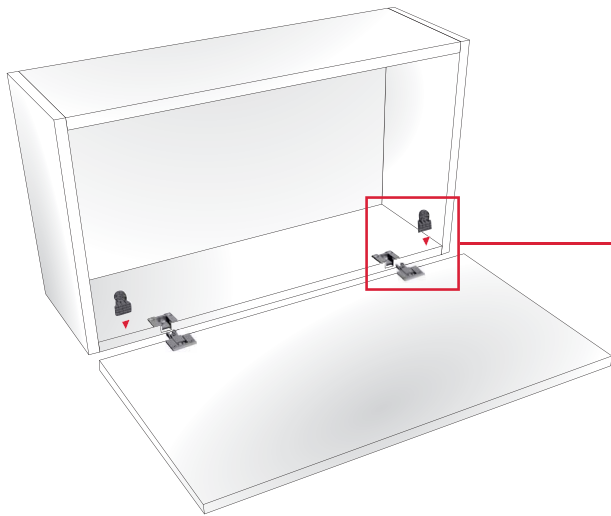
FIXING ACCESSORY FOR KIMANA ADAPTER PART NO. 40115400



= Ø 2,5 mm	+
= PZ2	
ST	= 1.000 pcs.
60101410YA	
60101410Z9	



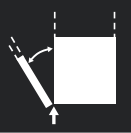
DOOR ALIGNMENT SPACER FOR KIMANA HINGES



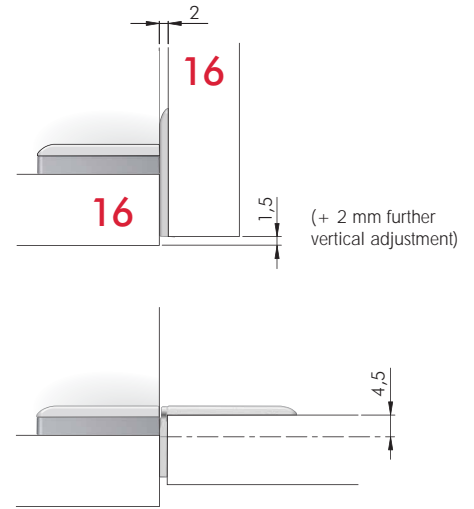
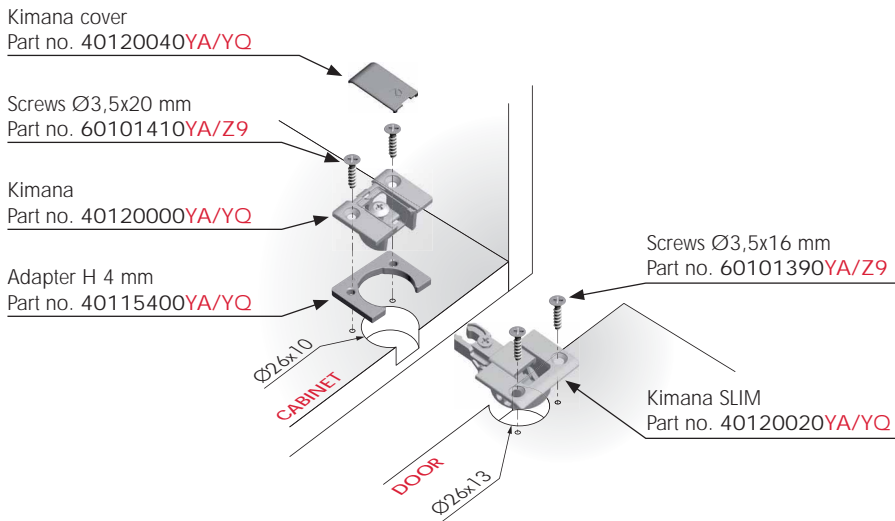
EP	= on request
40115635IA	

2 pcs featured in each polybag.

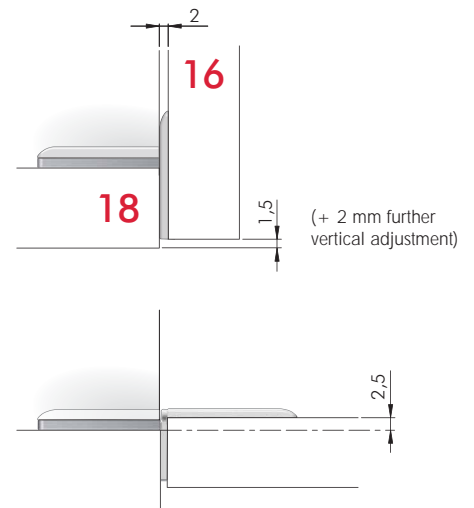
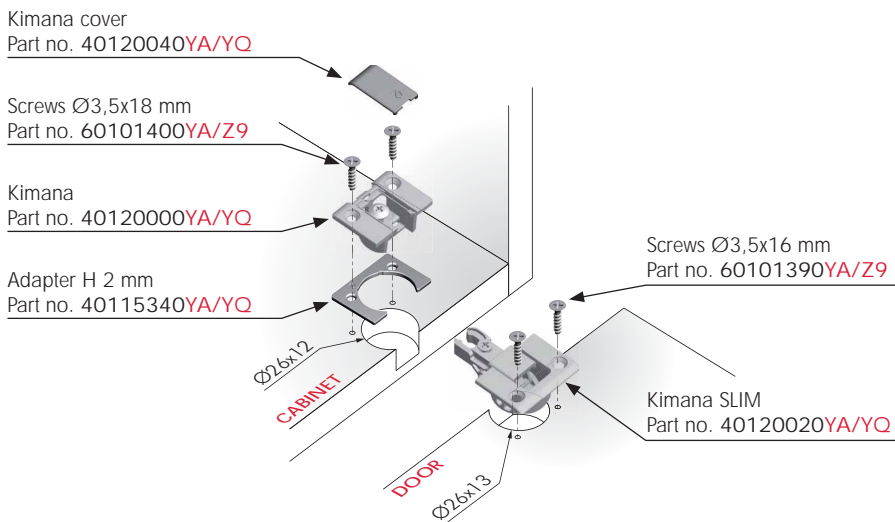
* For non-standard drilling plans 1,5, 2,5, 3 and 4 mm spacers are also available.



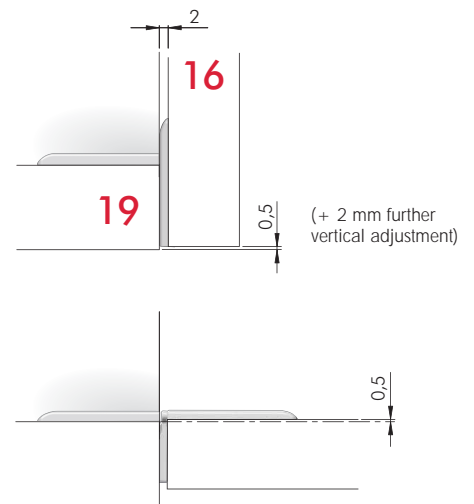
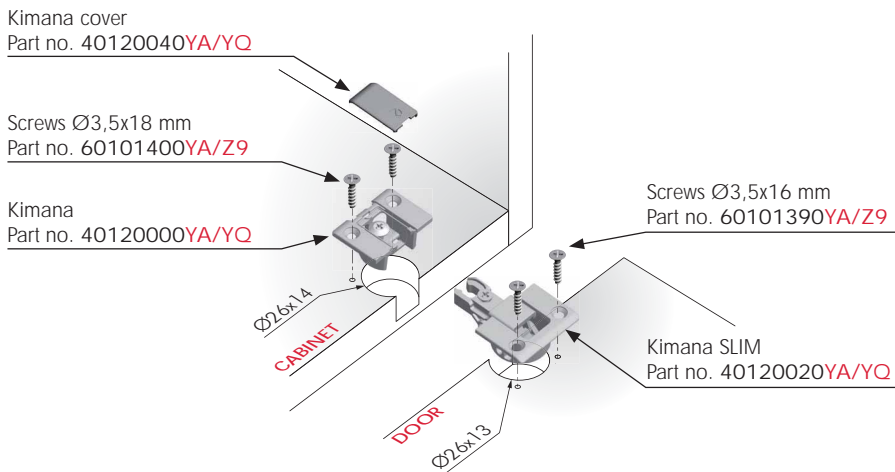
CABINET 16 mm THICK - DOOR 16 mm THICK



CABINET 18 mm THICK - DOOR 16 mm THICK



CABINET 19 mm THICK - DOOR 16 mm THICK

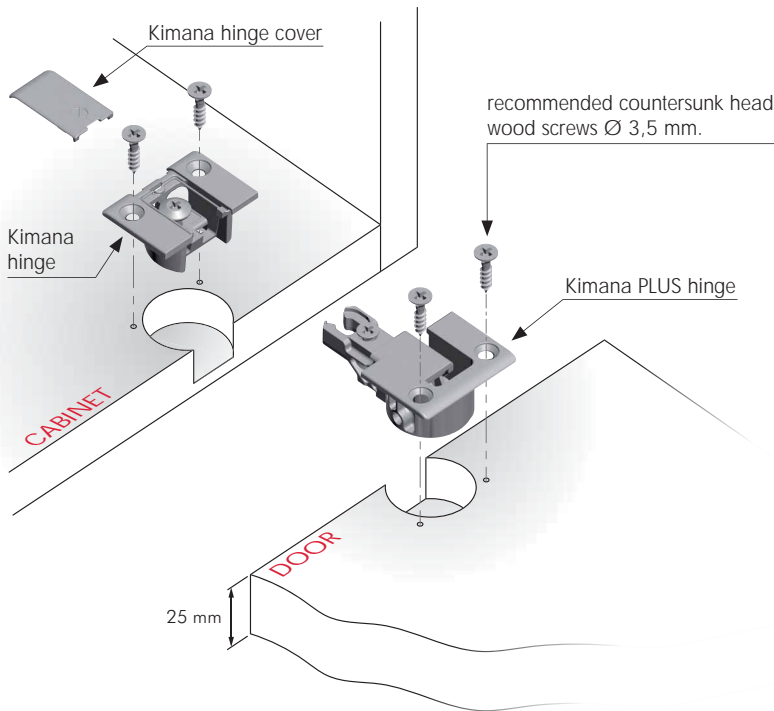




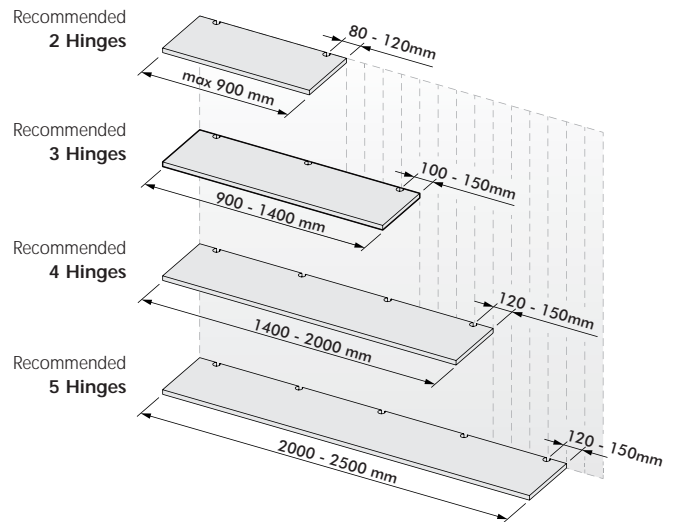
KIMANA PLUS (Suitable mainly for door thickness 25 mm)



KIMANA PLUS STANDARD INSTALLATION



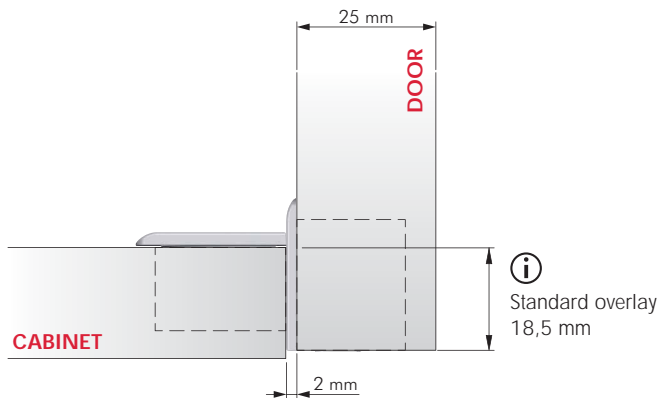
RECOMMENDED NUMBER OF HINGES PER DOOR



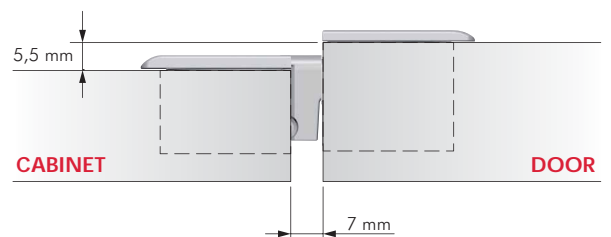
Due to various factors, the quantities stated in the chart are indicative.

OVERLAY WITH STANDARD DRILLING PLAN

CLOSING CONDITION



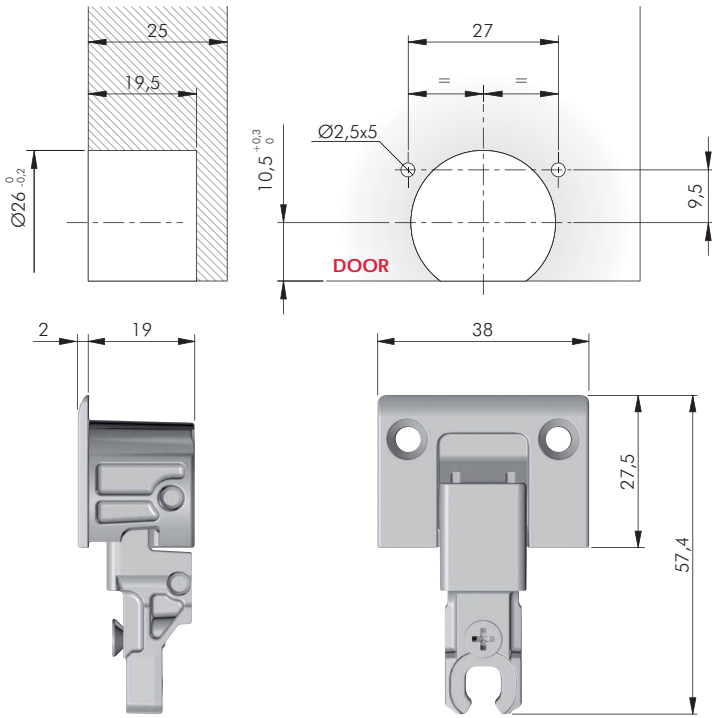
OPENING CONDITION



i The overlay value can be reduced by adding bespoke adapters on the cabinet side.

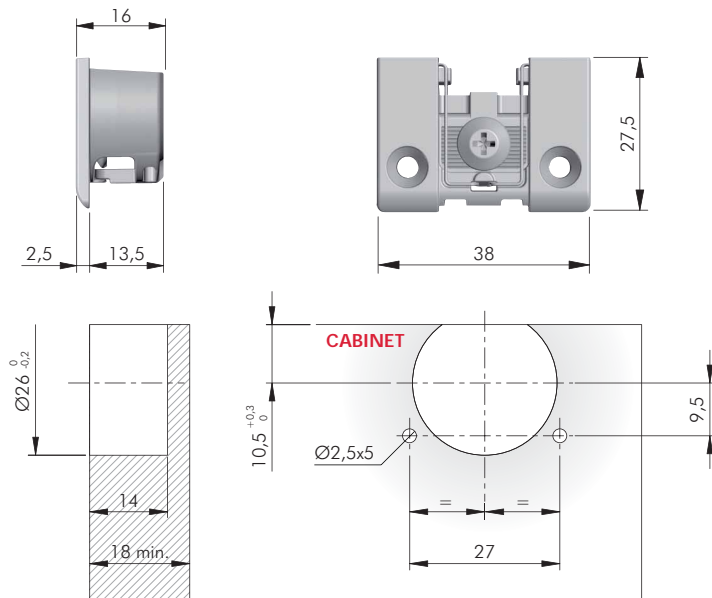


KIMANA PLUS - Door



	ZA	ST	= 150 pcs.
	40120030YA		
	40120030YQ		

KIMANA - Bottom panel



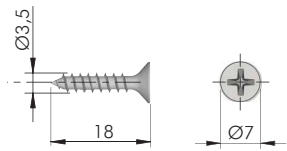
	ZA	ST	= 150 pcs.
	40120000YA		
	40120000YQ		



ZA	= 150 pcs.	
	40120040YA	
	40120040YQ	

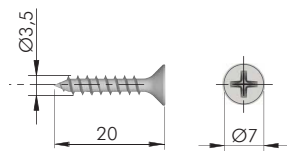


FIXING ACCESSORIES



= Ø 2,5 mm +
 = PZ2
 = 1.000 pcs.

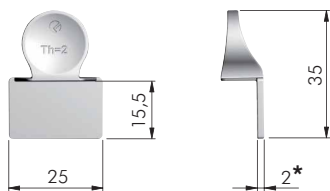
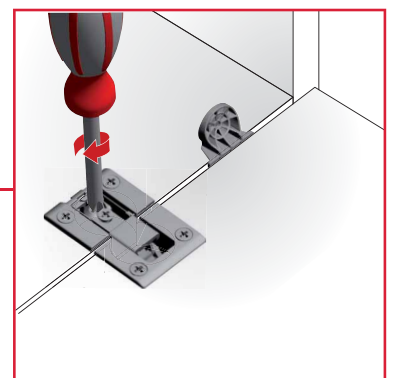
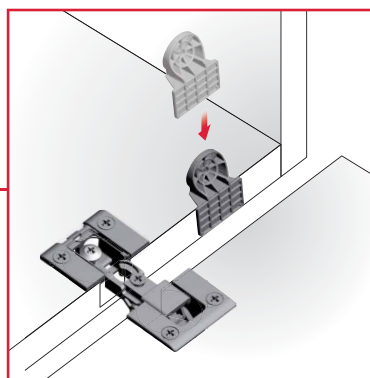
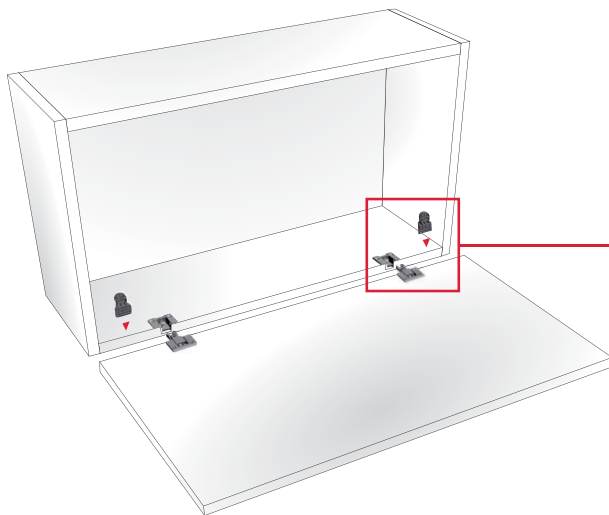
123
60101400YA Z9



= Ø 2,5 mm +
 = PZ2
 = 1.000 pcs.

123
60101410YA Z9

DOOR ALIGNMENT SPACER FOR KIMANA HINGES

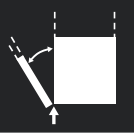


= on request

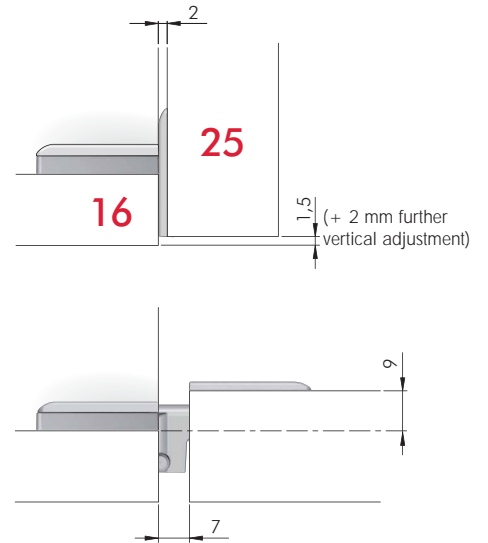
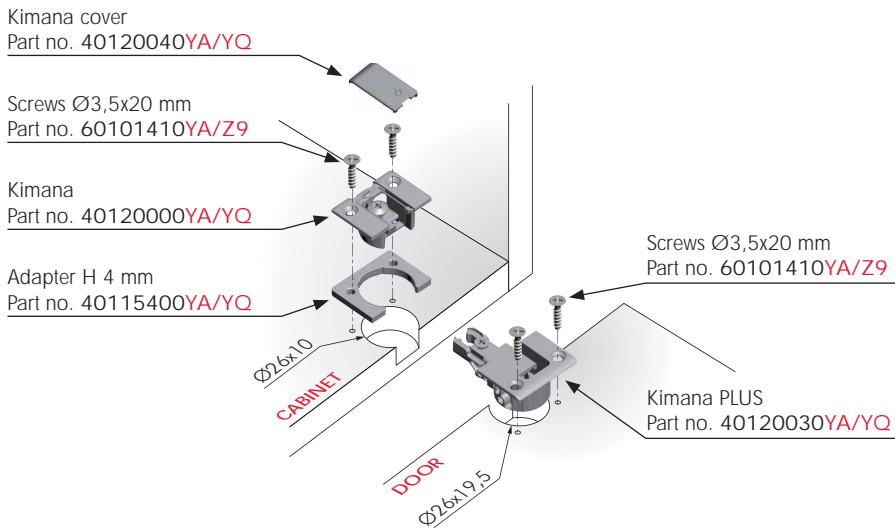
123
40115635IA

2 pcs featured in each polybag.

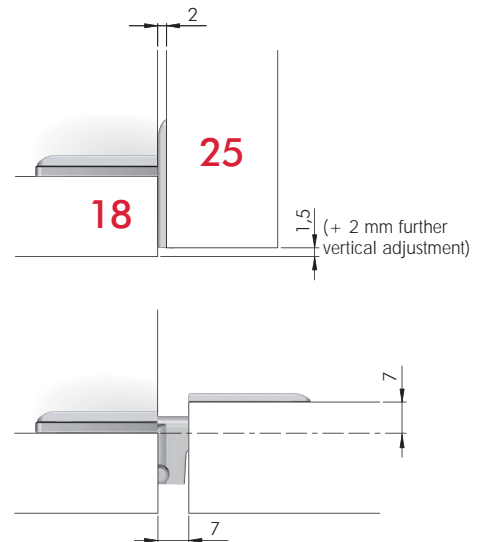
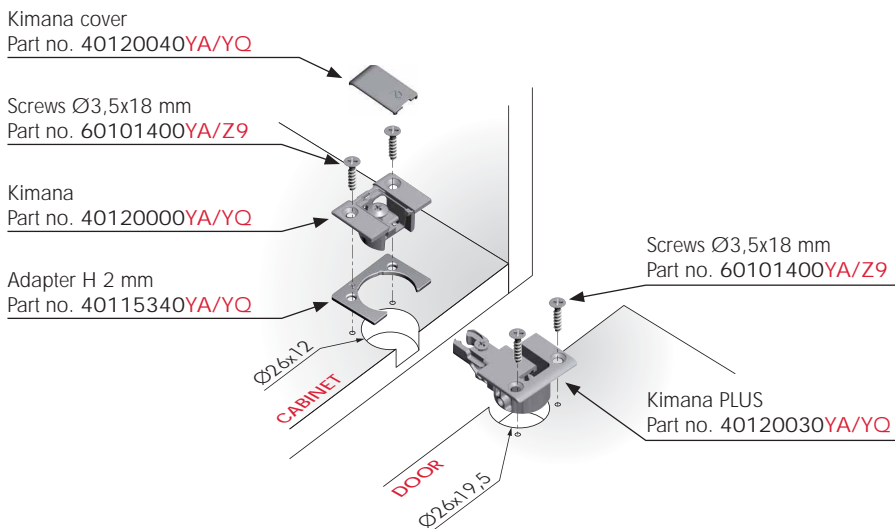
* For non-standard drilling plans 1,5, 2,5, 3 and 4 mm spacers are also available.



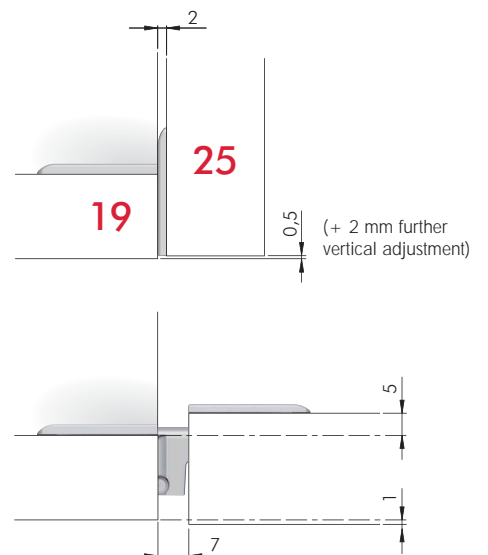
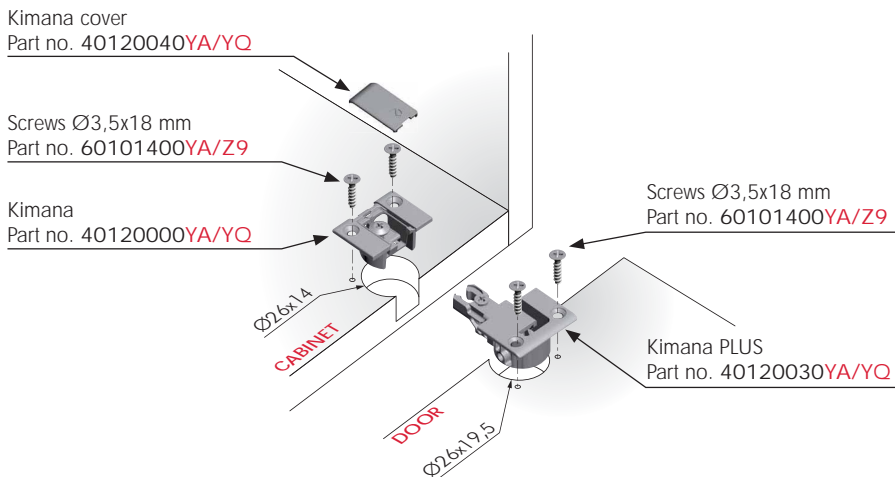
CABINET 16 mm THICK - DOOR 25 mm THICK



CABINET 18 mm THICK - DOOR 25 mm THICK



CABINET 19 mm THICK - DOOR 25 mm THICK

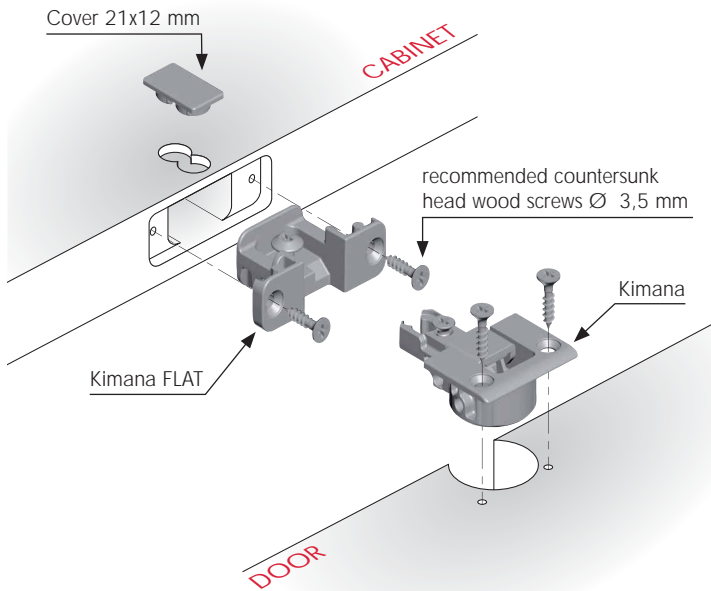




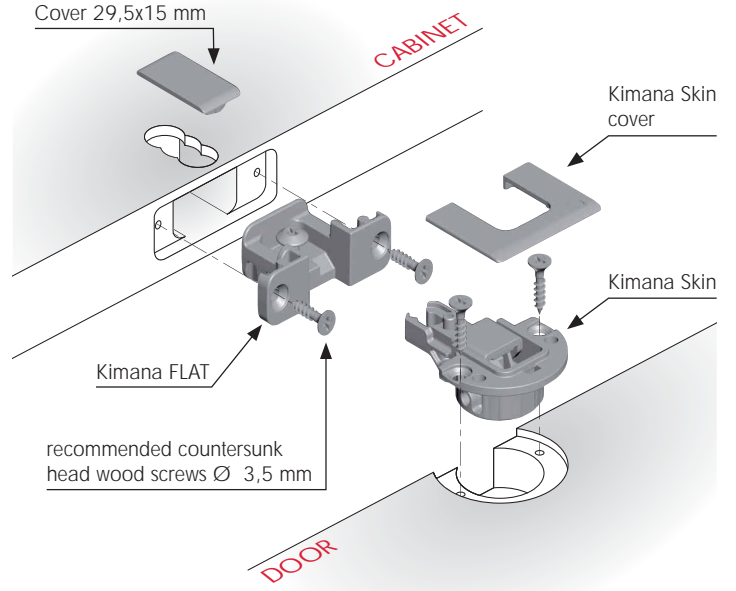
KIMANA FLAT & KIMANA SKIN FLAT



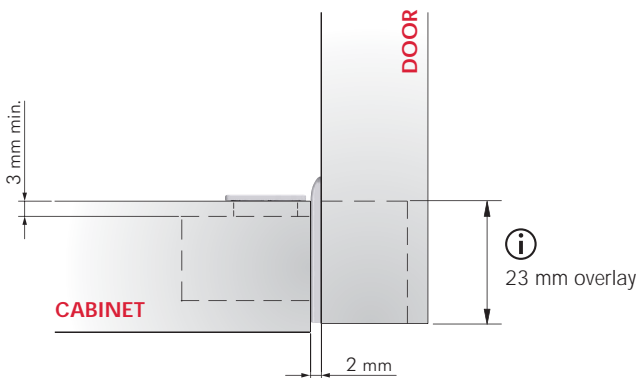
KIMANA FLAT INSTALLATION



KIMANA FLAT INSTALLATION

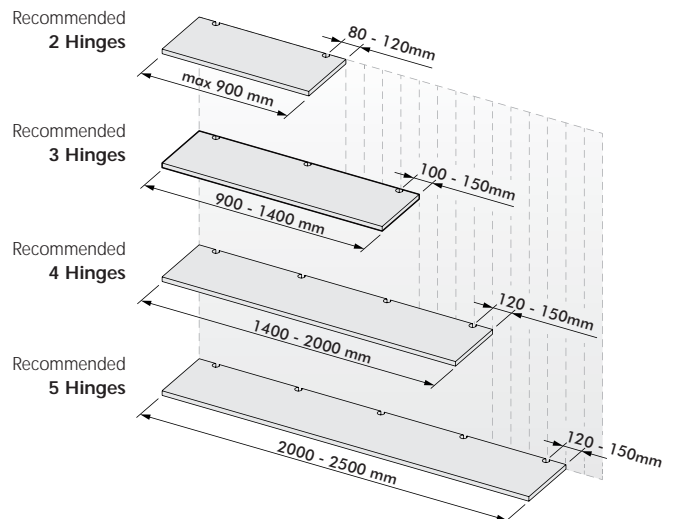


OVERLAY WITH STANDARD DRILLING PLAN

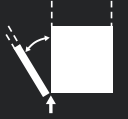


i The overlay value can be increased by modifying the drilling plan on the cabinet bottom panel.

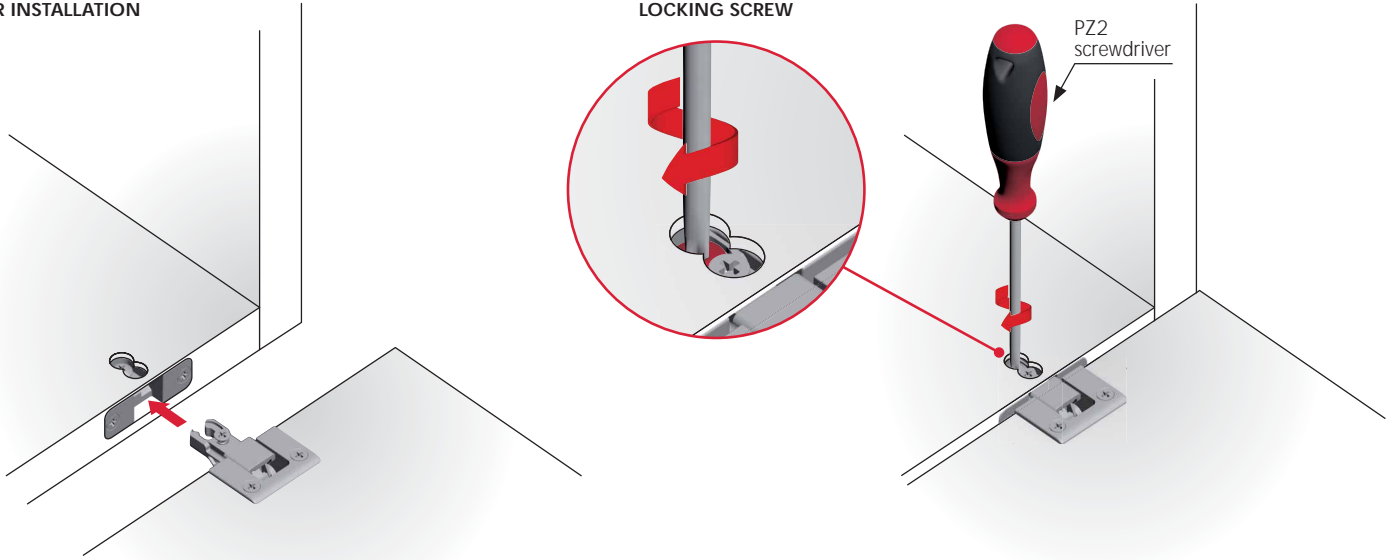
RECOMMENDED NUMBER OF HINGES PER DOOR



Due to various factors, the quantities stated in the chart are indicative.



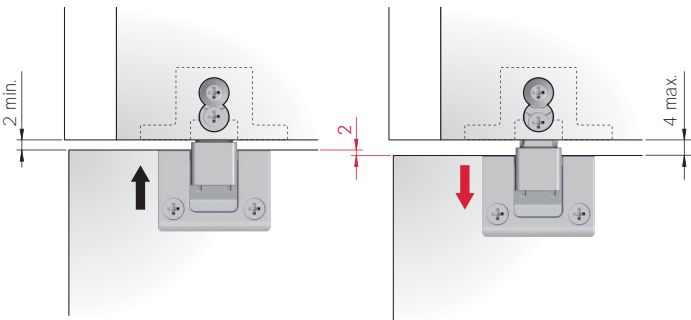
DOOR INSTALLATION



ADJUSTMENTS AND ASSEMBLING

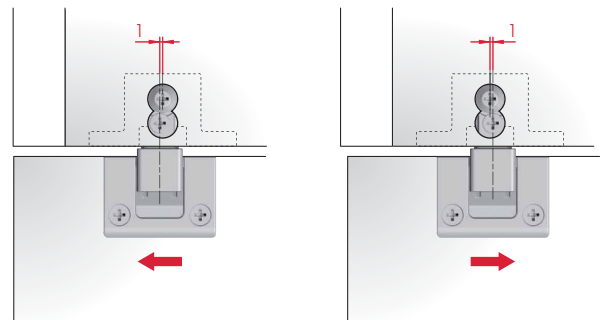
IN-DEPTH ADJUSTMENT +2 mm

⚠ TO BE MADE BEFORE LOCKING SCREW OPERATION ⚠



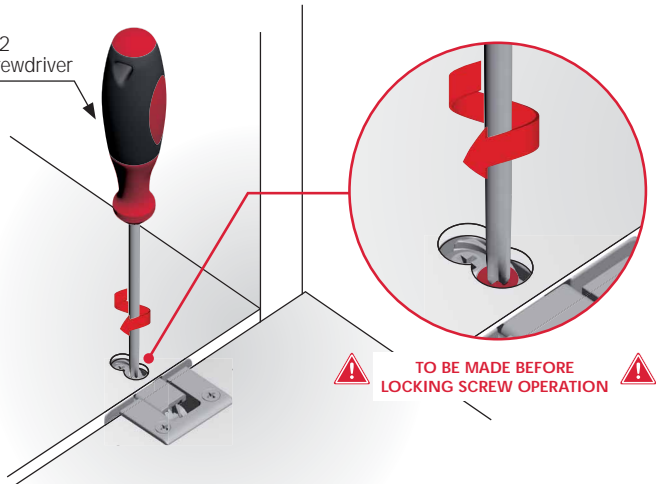
LATERAL ADJUSTMENT ±1 mm

⚠ TO BE MADE BEFORE LOCKING SCREW OPERATION ⚠

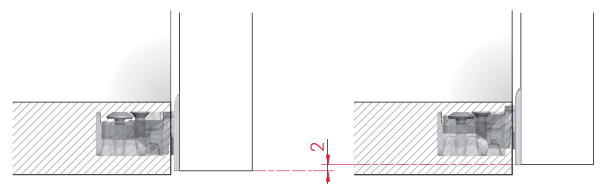


OVERLAP ADJUSTMENT

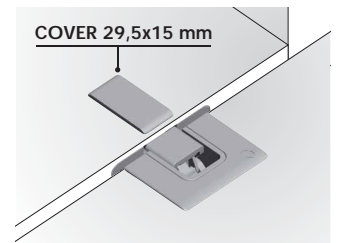
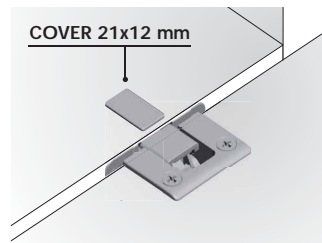
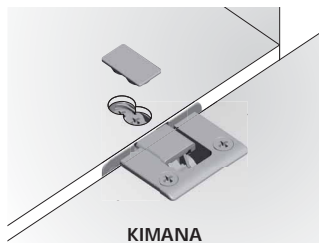
PZ2 screwdriver



+2 mm vertical adjustment

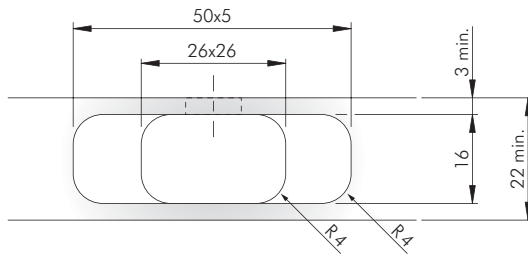


COVERS OPTIONS

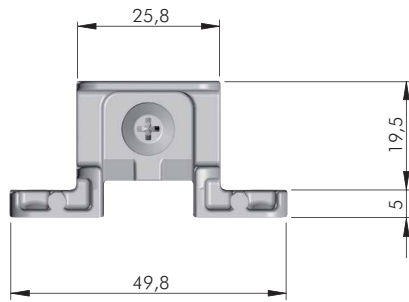
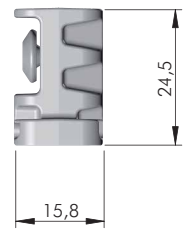
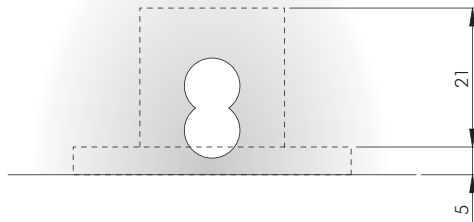
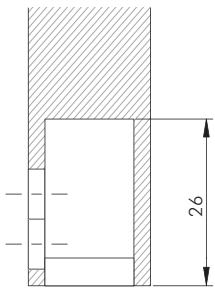




KIMANA FLAT WITH COVER 21x12 mm



CABINET



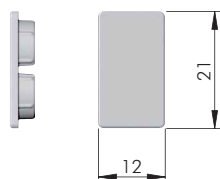
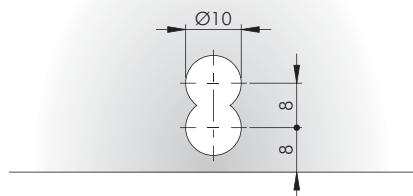
ZA ST = 150 pcs.

40120140YA

40120140YQ



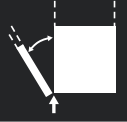
CABINET



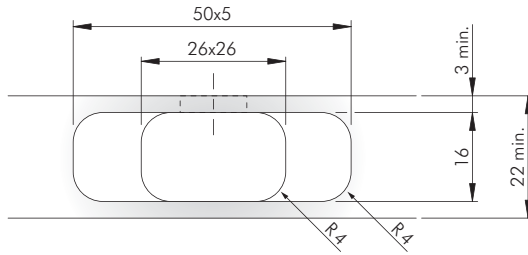
EP = on request

40120160EE

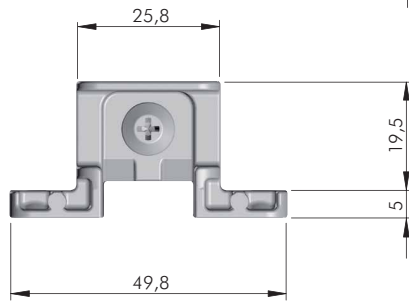
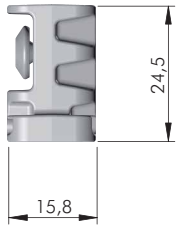
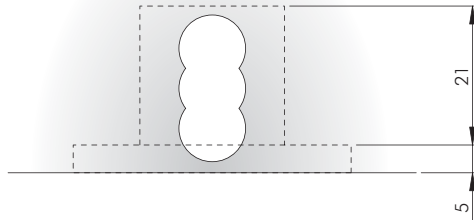
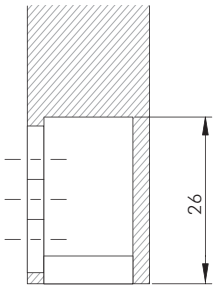




KIMANA FLAT WITH COVER 29,5x15 mm



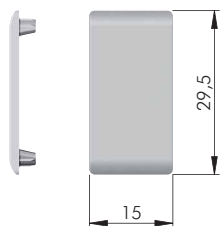
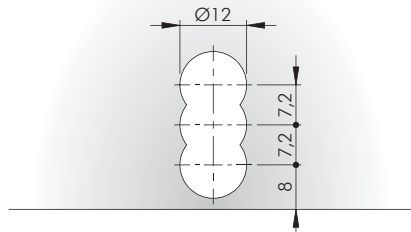
CABINET



ZA	ST	= 150 pcs.
40120140YA		
40120140YQ		



CABINET

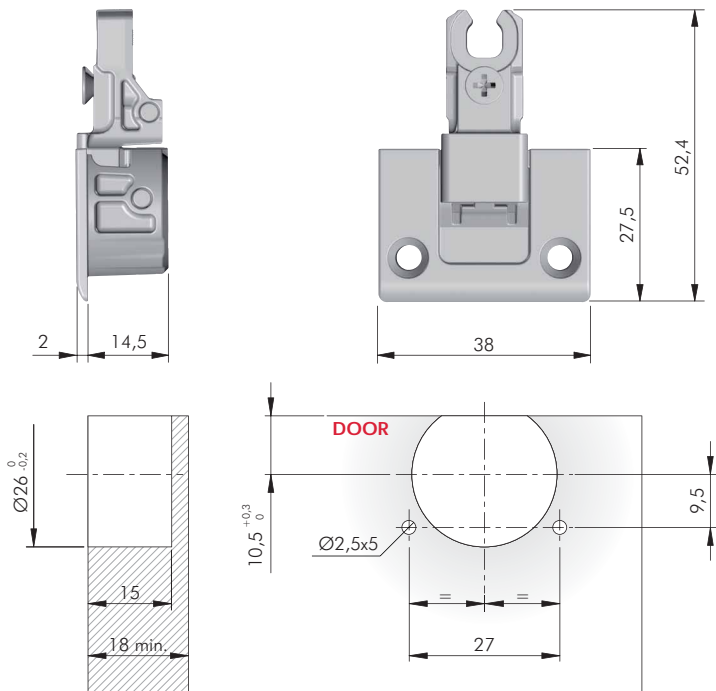


EP	= on request
65270200EE	AB





KIMANA - DOOR

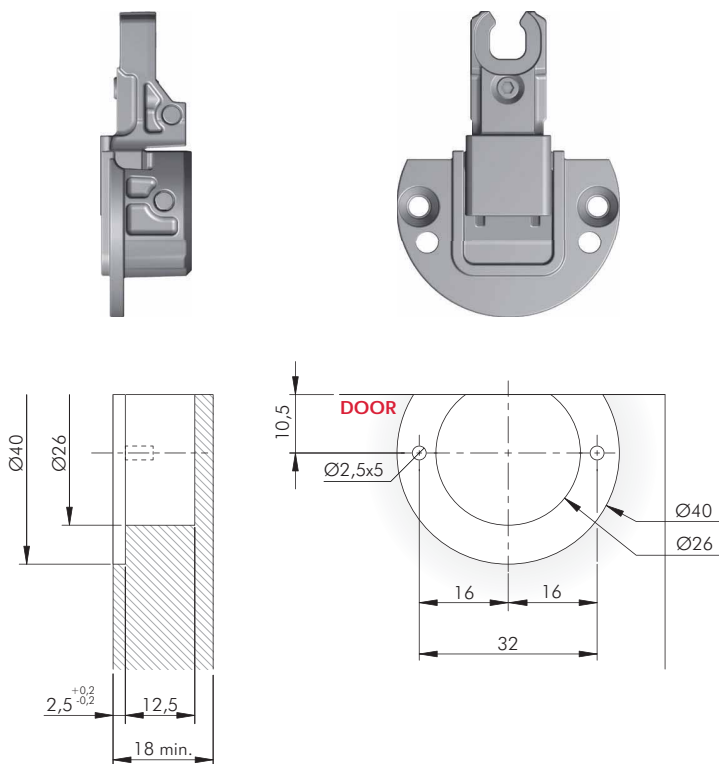


= 150 pcs.

40120010YA
40120010YQ



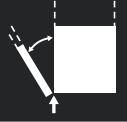
KIMANA SKIN - DOOR



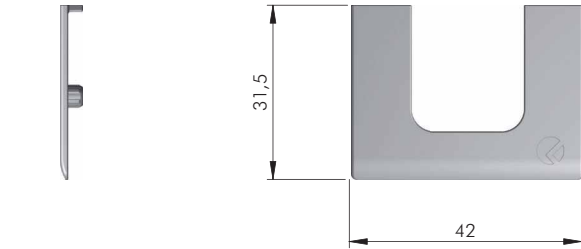
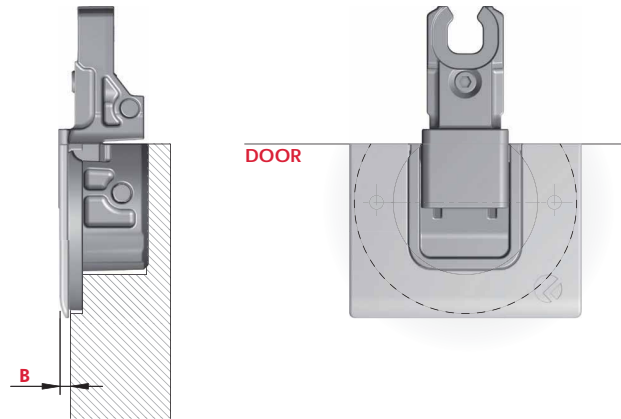
= 200 pcs.

40130010YA
40130010YQ

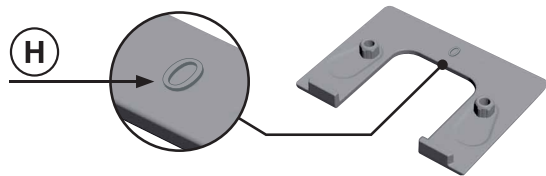




COVER - DOOR

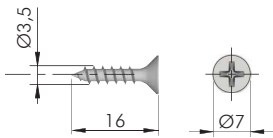


EP	= 200 pcs.		
40130200EE	AB	0	B
			1,5





FIXING ACCESSORIES

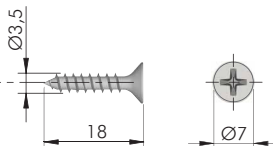


= Ø 2,5 mm +

= PZ2

ST = 1.000 pcs.

60101390ZN



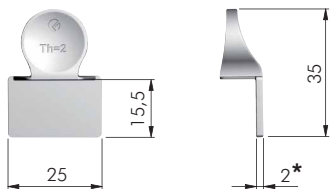
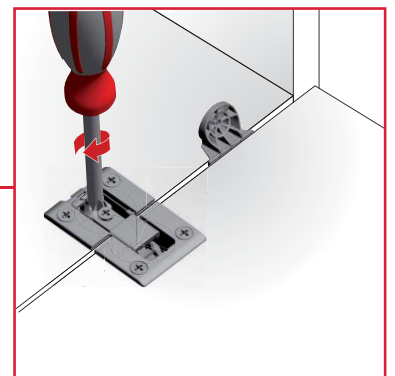
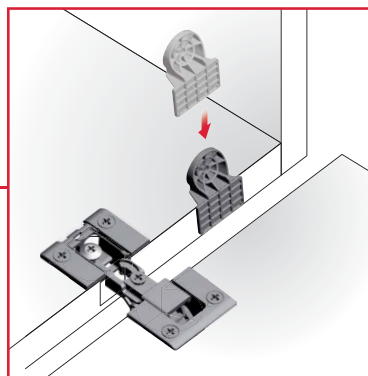
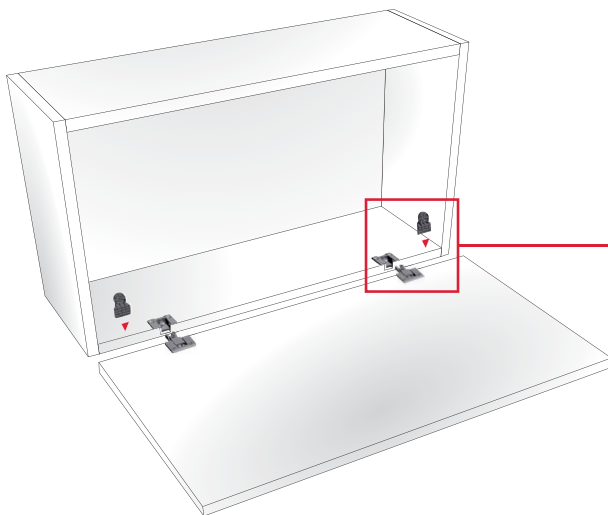
= Ø 2,5 mm +

= PZ2

ST = 8.000 pcs.

60101400ZN

DOOR ALIGNMENT SPACER FOR KIMANA HINGES

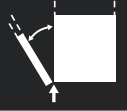


EP = on request

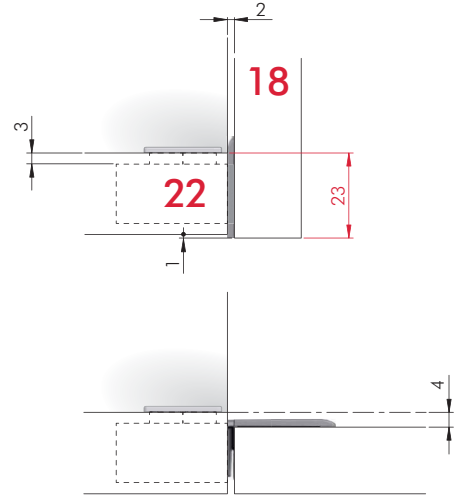
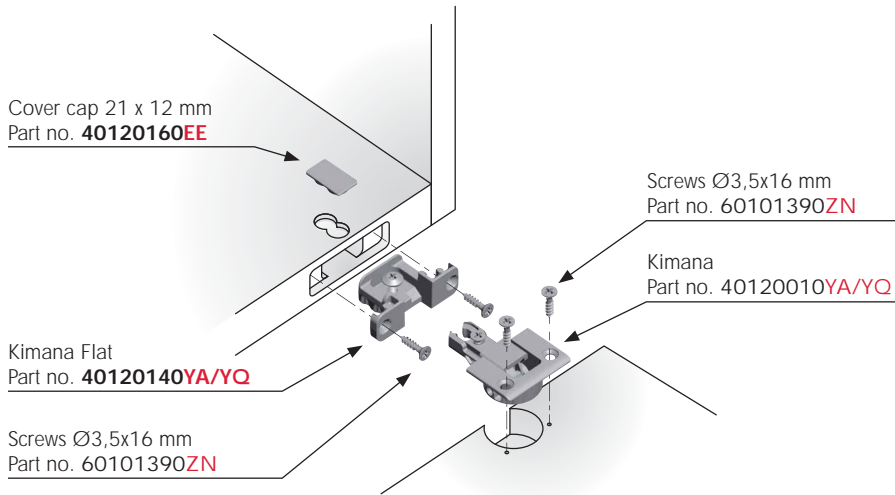
40115635IA

2 pcs featured in each polybag.

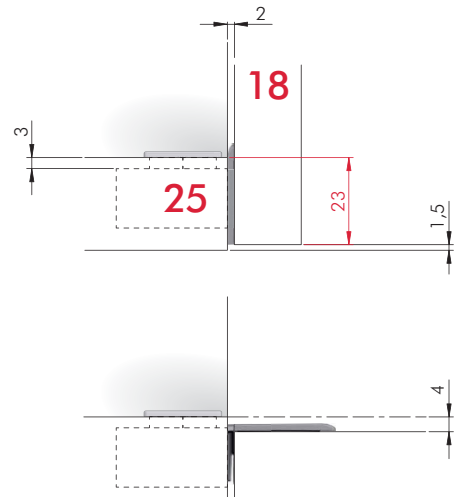
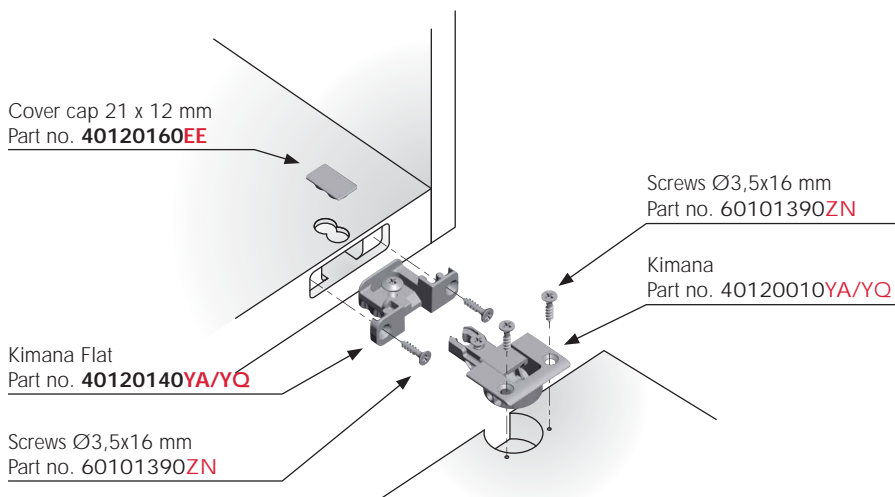
* For non-standard drilling plans 1,5, 2,5, 3 and 4 mm spacers are also available.



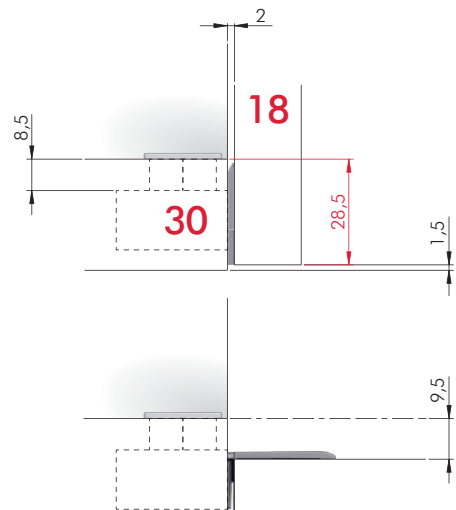
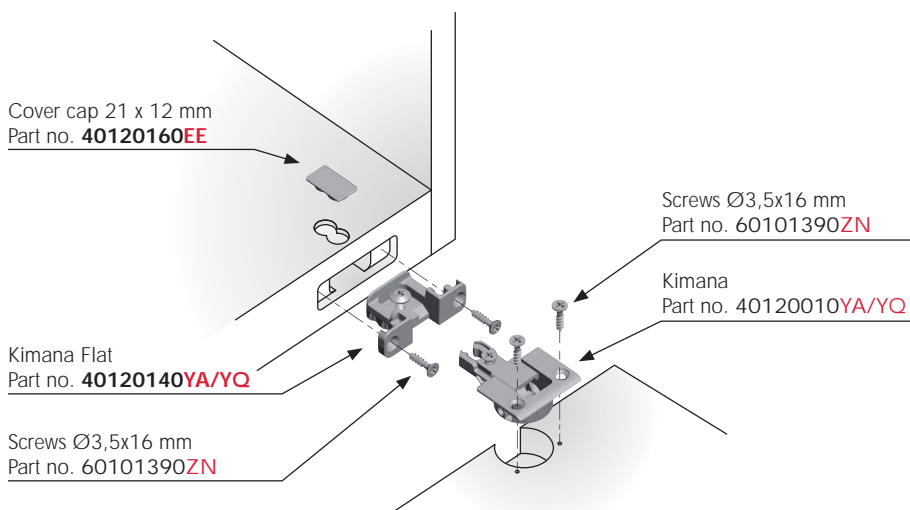
CABINET 22 mm THICK - DOOR 18 mm THICK



CABINET 25 mm THICK - DOOR 18 mm THICK

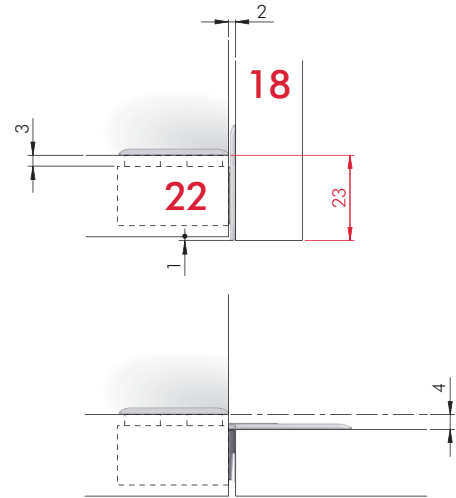
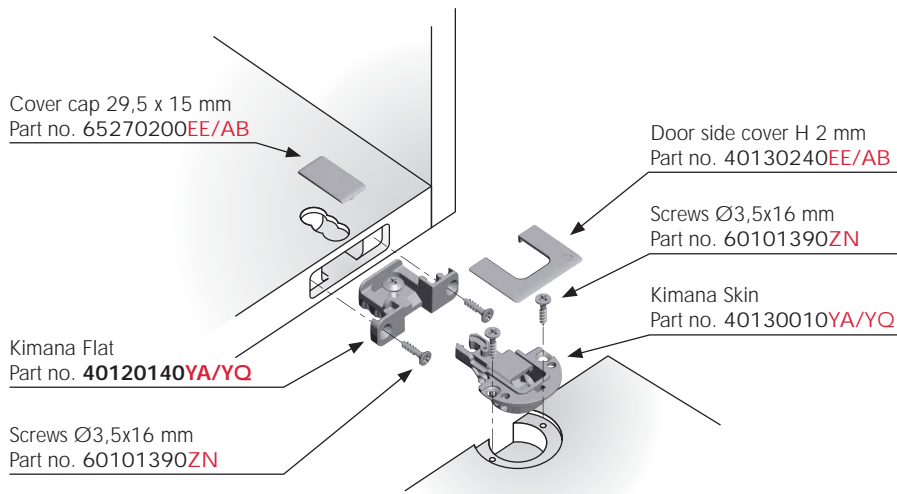


CABINET 30 mm THICK - DOOR 18 mm THICK

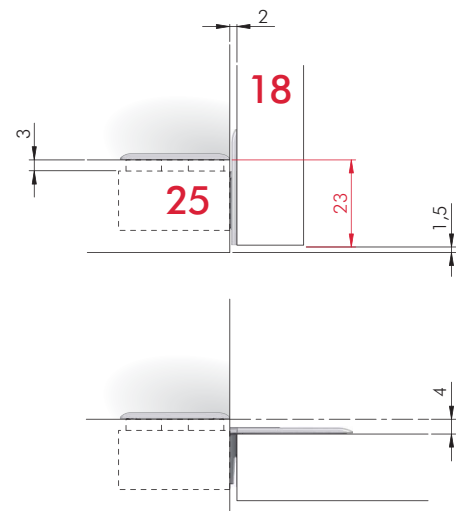
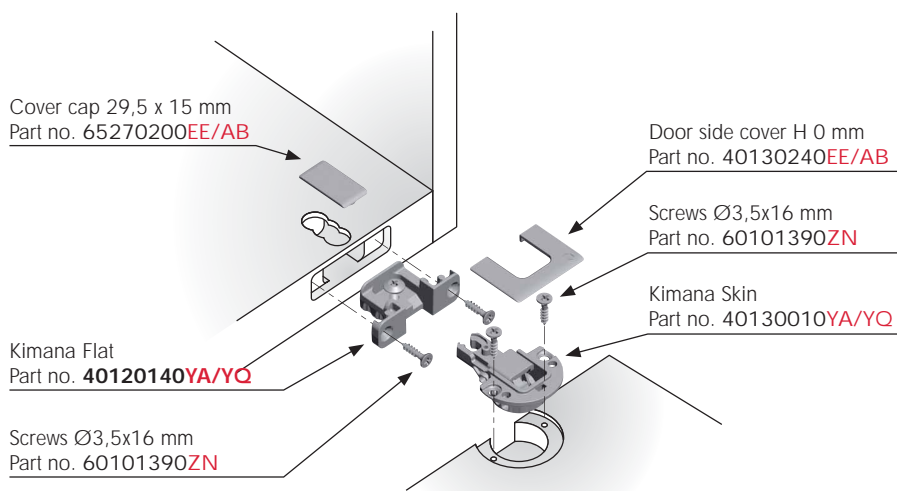




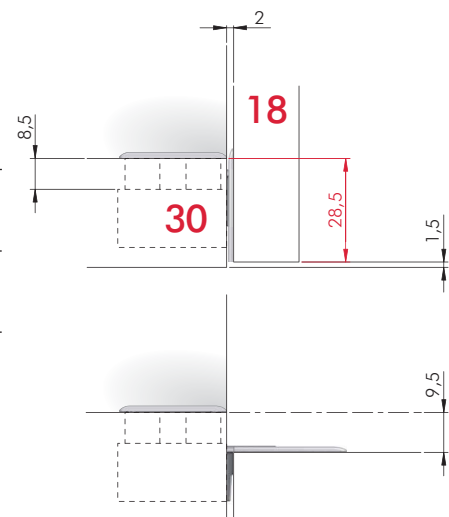
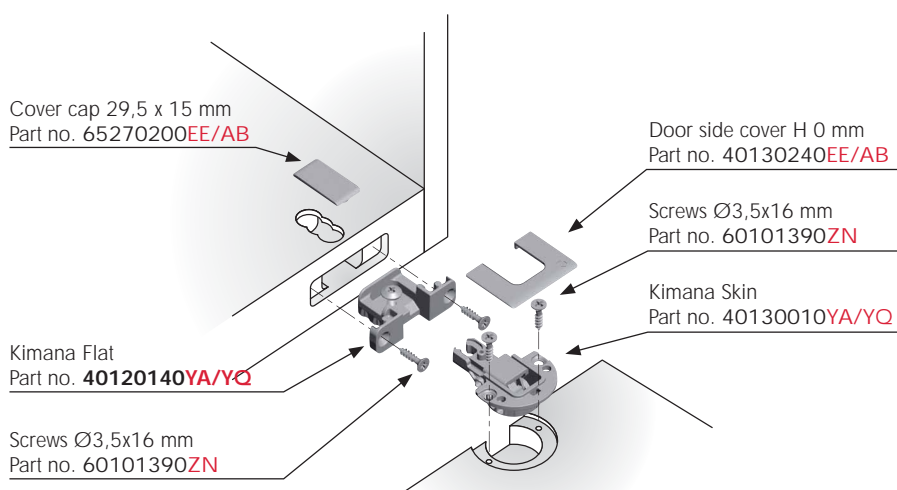
CABINET 22 mm THICK - DOOR 18 mm THICK

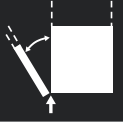


CABINET 25 mm THICK - DOOR 18 mm THICK



CABINET 30 mm THICK - DOOR 18 mm THICK

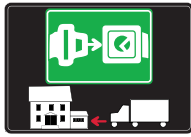






SYMBOLS AND FINISHES LEGEND

SYMBOLS



= SHELF SAFELY LOCKED DURING TRANSPORTATION AND AT HOME.



= ANTI-TURNOVER LOCKING SYSTEM



= NORMS / PATENTS



= PHILLIPS / POZIDRIV



= WITH BUFFER



= PART NO.



= BLADE SLOT



= WITH MAGNET



= PCS. PER PACKAGE



= COMBI SLOT



= HEXAGONAL SOCKET



= NEWTON



= CAPACITY LOADING



= HEXALOBULAR SOCKET



= FRICTION



= WOOD / GLASS THICKNESS



= COUNTERSUNK HEAD



= AUTOMATIC



= HOLE DIAMETER



= PAN HEAD



= DROP DOWN



= DIAMETER



= FLANGE HEAD



= LENGTH



= FLAT HEAD



= STANDARD HINGE



= HEIGHT



= TRILOBULAR SCREW



= KIMANA HINGE



= RIGHT VERSION



= SELF-TAPPING SCREW



= FLAP HINGE



= LEFT VERSION



= EURO THREAD



= WITH SPRING



= SETTING CODE



= METRIC THREAD



= WITHOUT SPRING



= PCS. PER PAD



= PRE-INSERTED SCREW



= REVERSED SPRING



= CUT ON REQUEST



= PRE-INSERTED SCREW AND SPREADING BUSH



= SELF ADHESIVE



= WITH FLANGE

NOTE: Printing errors and omissions may exist despite our best efforts to ensure accuracy. We reserve the right to alter specifications without notice.

MATERIALS

ZA = Zinc Alloy	ST = Steel	HSS = High Speed Steel	BR = Brass	ABS = Acrylonitrile Butadiene Styrene	TPU = Thermoplastic Polyurethane
ZAnk = Nickel-plated Zinc Alloy	STzk = Zinc-plated Steel	AL = Aluminium	WD = Wood	EVA = Ethylene Vinyl Acetate	
EP = ENGINEERING PLASTIC		+ EP = other engineering plastic available on request		SR = SOFT RUBBER	+ SR = other soft rubber available on request

EPn = Natural Engineering Plastic	EPc = Clear Engineering Plastic	SRn = Natural Soft Rubber
EPw = White Engineering Plastic	EPg = Grey Engineering Plastic	SRw = White Soft Rubber
EPb = Black Engineering Plastic	EPa = Anthracite Engineering Plastic	SRb = Black Soft Rubber

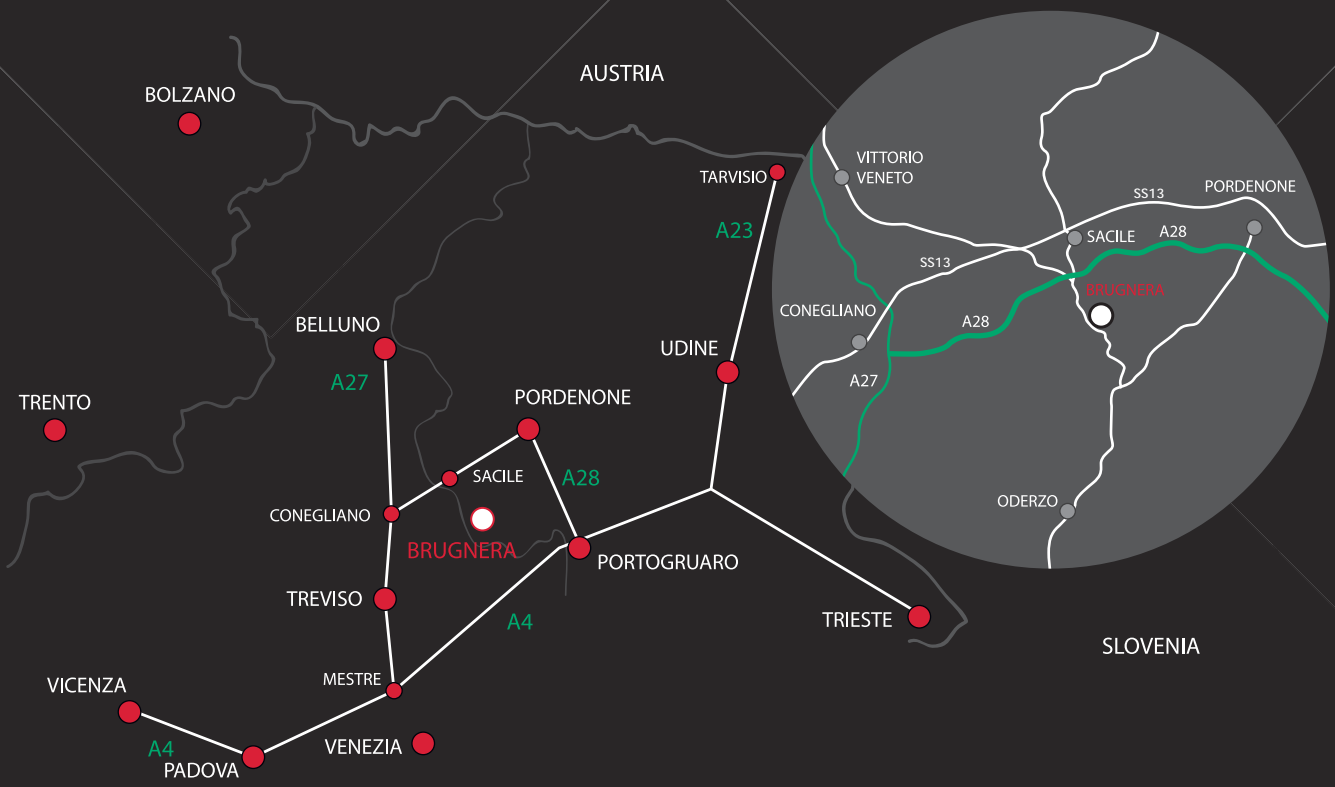


FINISHES



+ OTHER FINISHES AVAILABLE ON REQUEST

PART NO.	FINISHES	PART NO.	FINISHES	PART NO.	FINISHES
00	Insignificant finish	IF	Grey 7	XE	Inox
AA	Natural	IJ	Light Grey	YA	Nickel-plated
AB	White	IL	Grey 20	YC	Matt Nickel-plated
AE	White 9010	IN	Grey met. 26	YD	Satin-finished Nickel-plated
EA	Black	JG	Aluminium 5	YQ	Black Nickel
EC	Matt Black	JL	Aluminium PE 11	Z9	Black Zinc
EE	Anthracite	JM	Aluminium RAL 9006	ZN	Zinc-plated
EW	Grey 9007	KB	Bright Chrome	ZQ	Bright Gold
FU	Gunmetal	KC	Matt Chrome	ZZ	Clear/Transparent
FV	Gunmetal V52	LD	Brown 8019		
GR	Zamak Raw	RO	Red		
HA	Brass-Plated	UT	T-Met 9007		
HH	Tropicalized	UZ	T-Met		
HL	Raw Brass	WA	Bronzed		
HX	Graphite	WI	Burnished		
IA	Grey	XD	Satin-finished Steel		



www.italianaferramenta.com

ITALIANA FERRAMENTA SRL - Viale Europa 17 I - 33070 Brugnera (PN)
 Tel. +39 0434 428211 Fax +39 0434 428242 E-mail: info@italianaferramenta.it